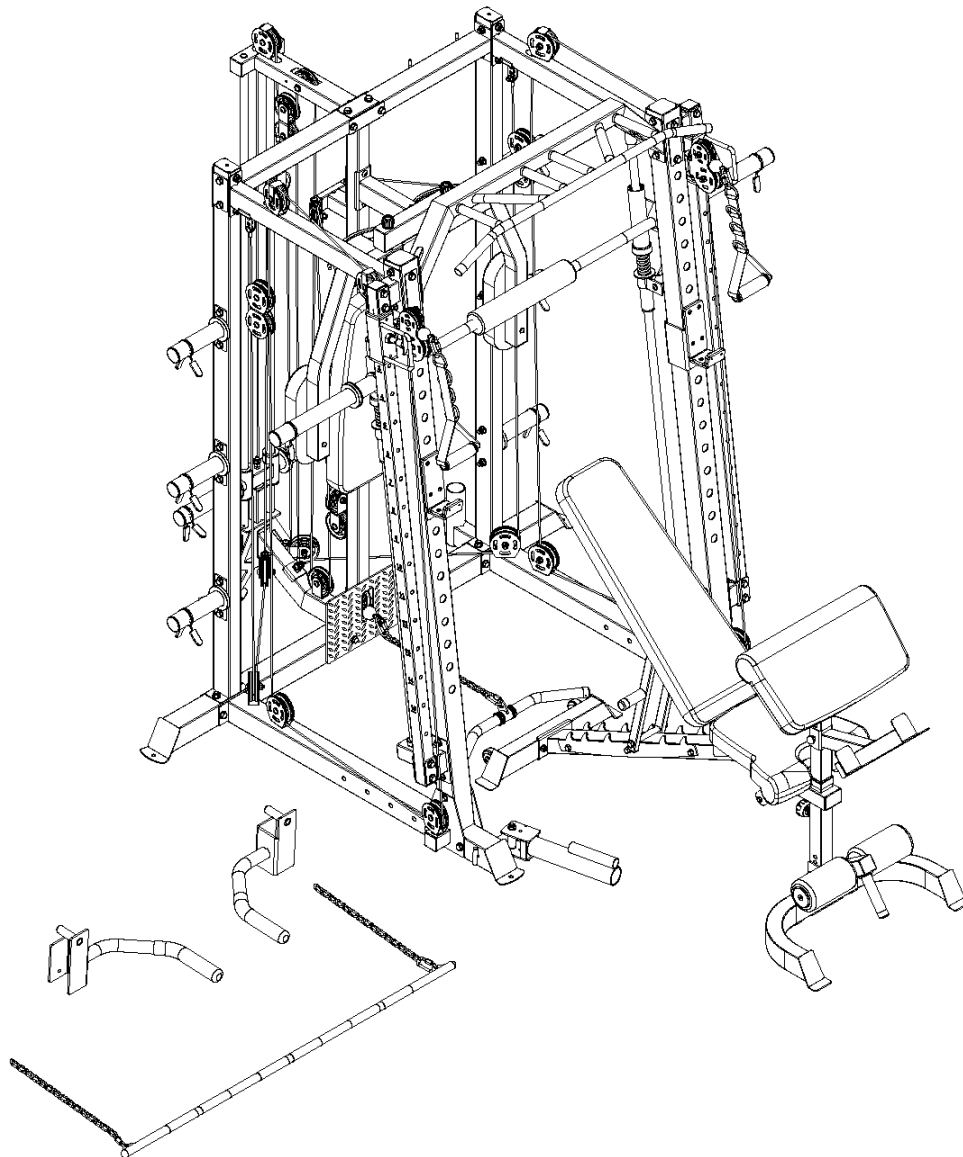


# MARCY<sup>®</sup>

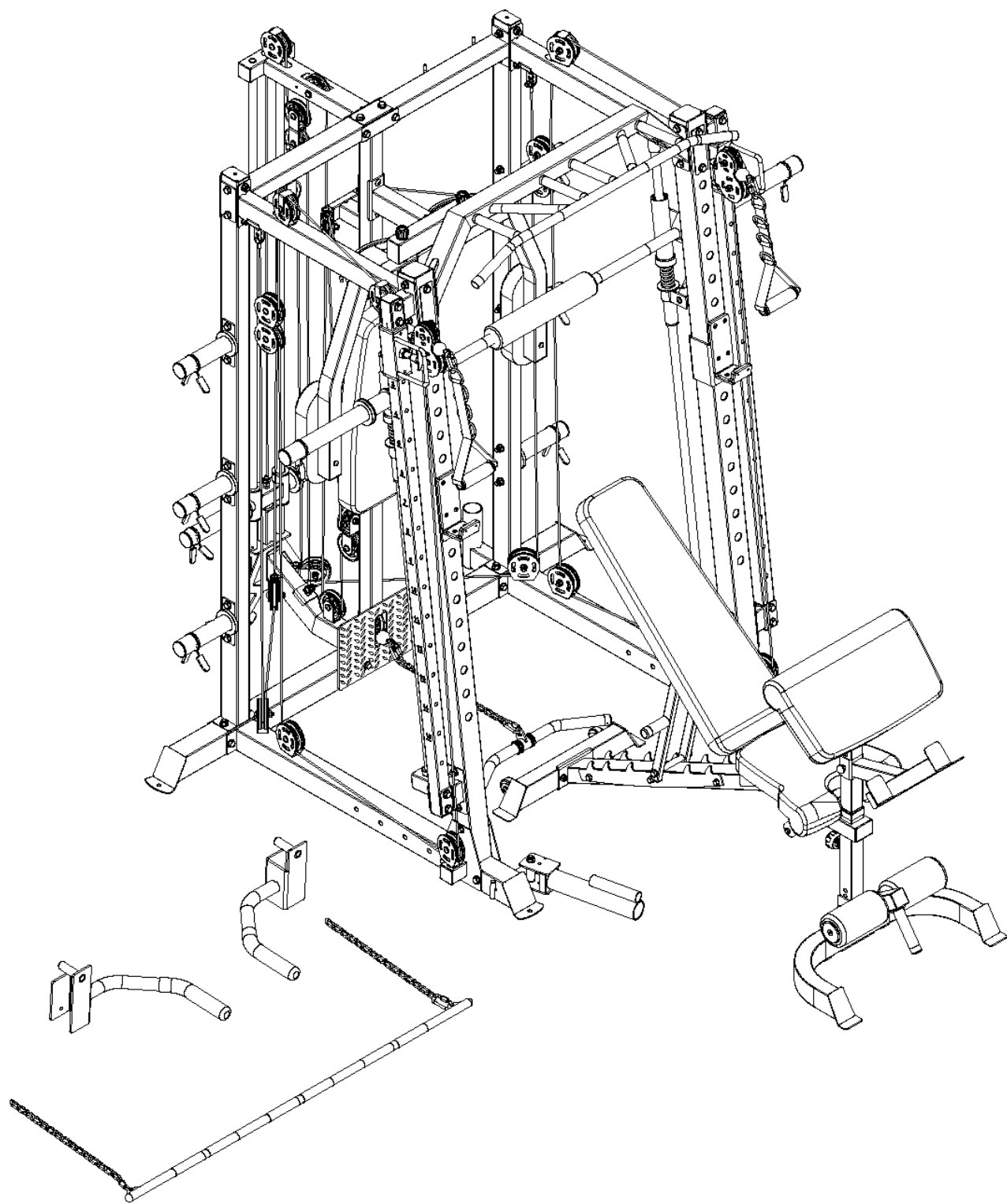
## MARCY PRO SMITH MACHINE SM-7409

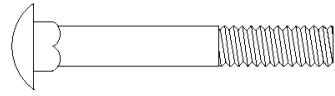


**IMPORTANT:** Please read the Important Safety Notice and Assembly Information in the Owner's manual before assembling this product.

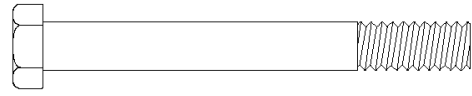
**Assembly Manual**

220325

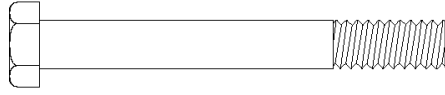




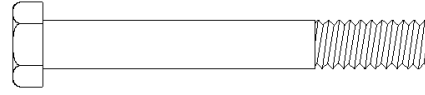
⑤6×4



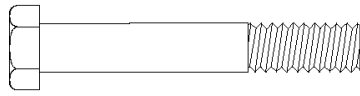
⑤7×26



⑤8×12



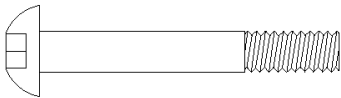
⑤9×3



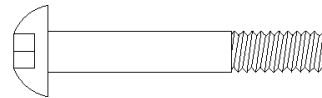
⑥0×26



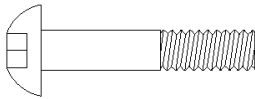
⑥1×1



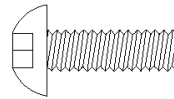
⑥2×1



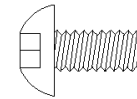
⑥3×6



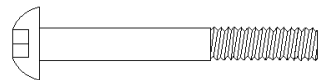
⑥4×29



⑥5×4



⑥6×8



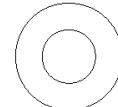
⑥7×6



⑥8×30



⑥9×98



⑦0×144



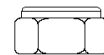
⑦1×4



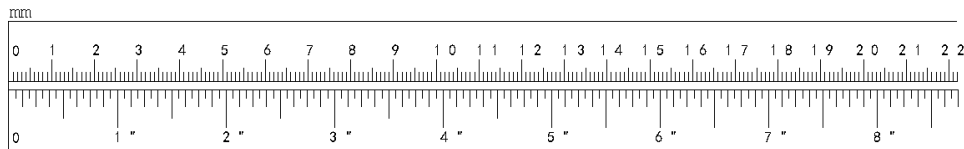
⑦2×2

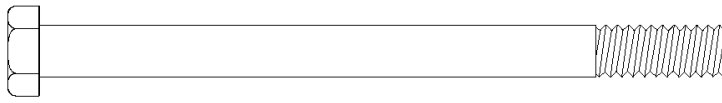


⑦3×50

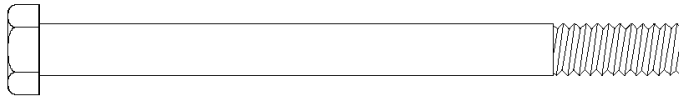


⑦4×93

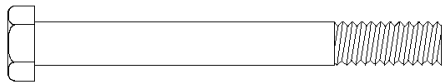




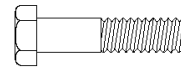
147 × 1



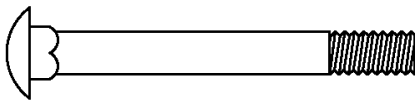
148 × 2



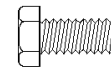
149 × 3



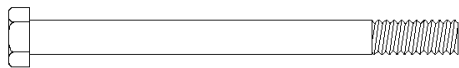
154 × 4



150 × 2



155 × 6



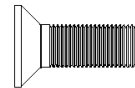
152 × 1



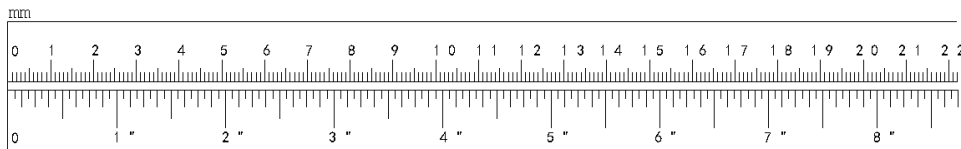
156 × 7

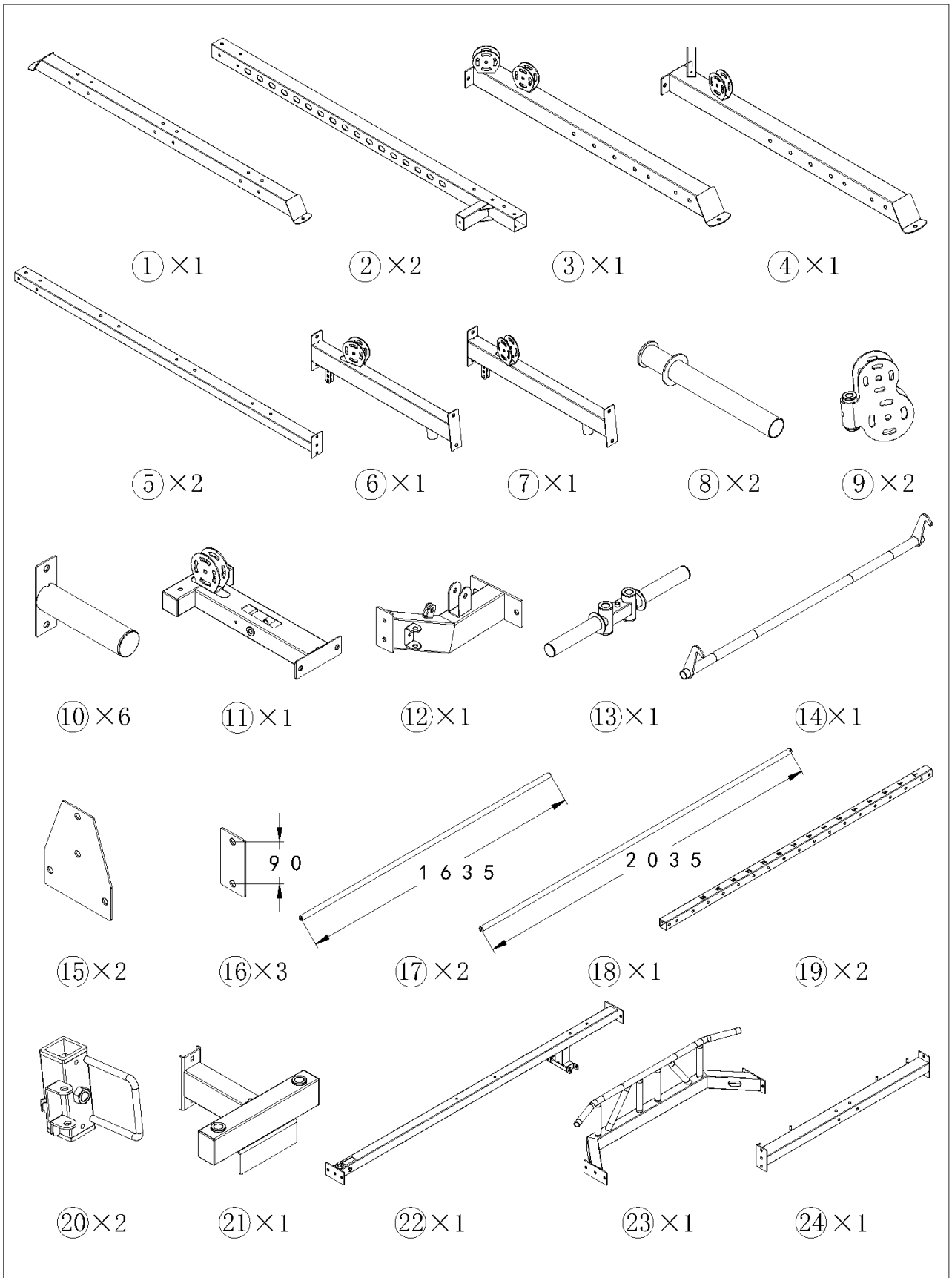


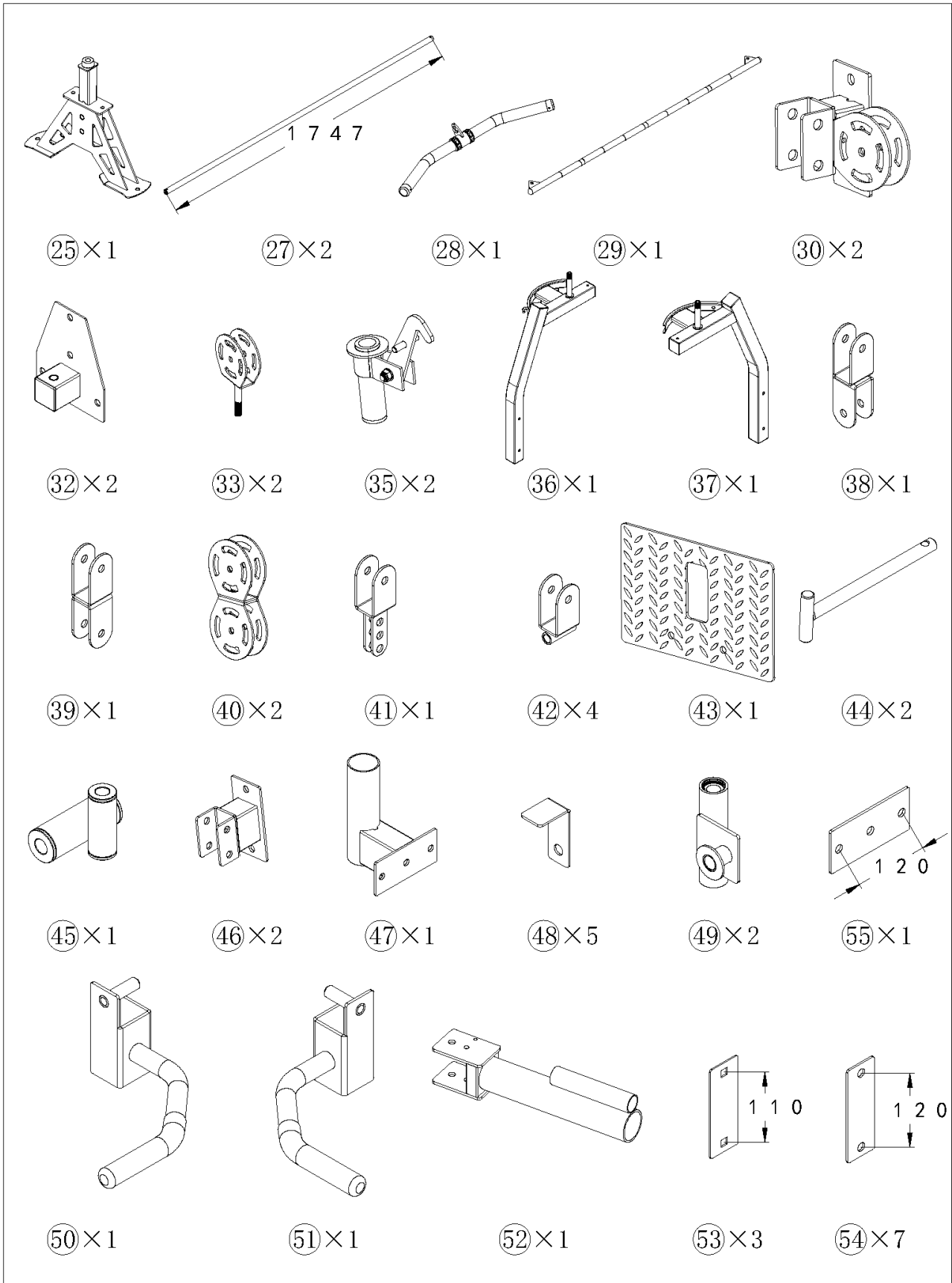
153 × 4

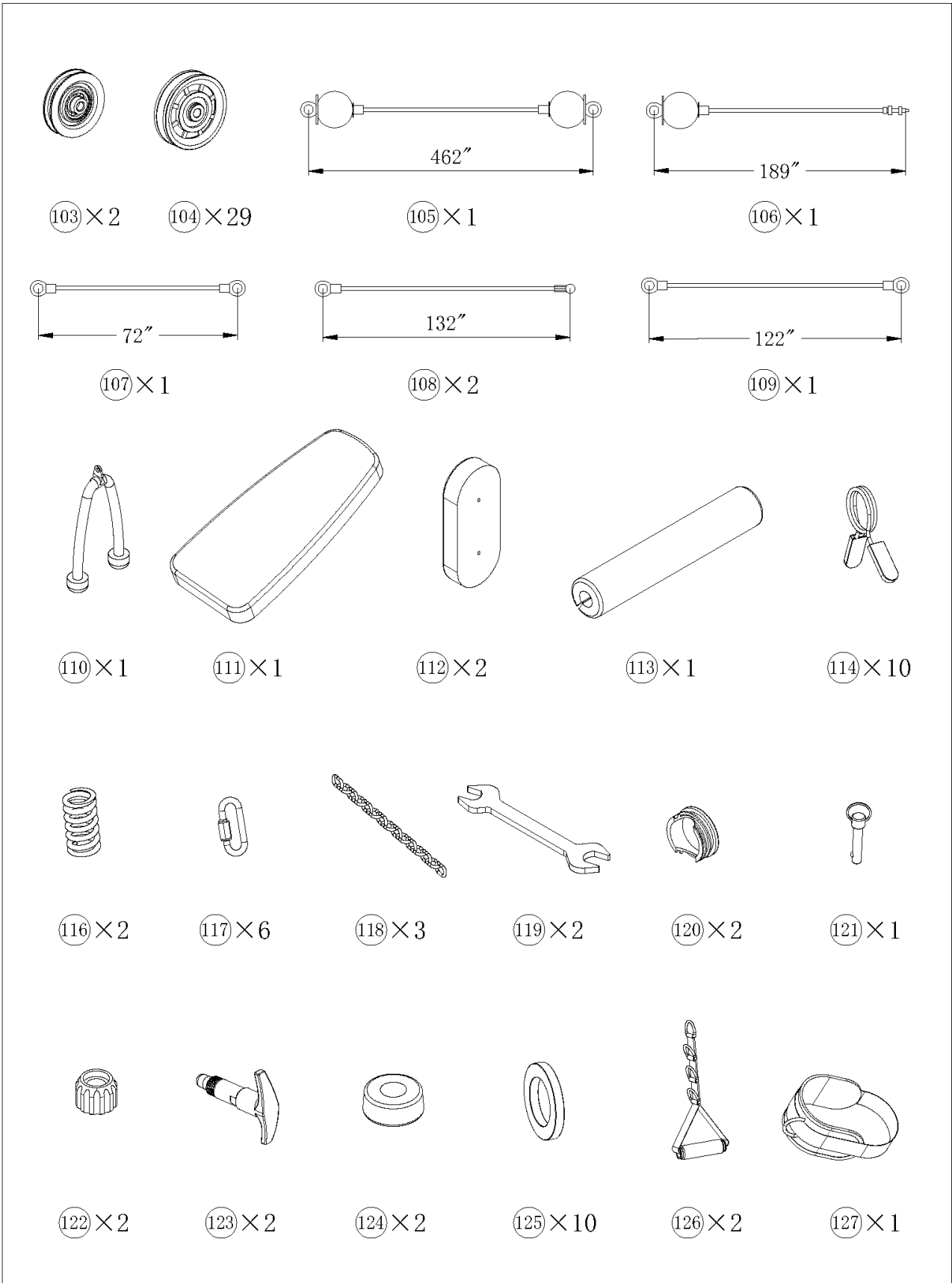


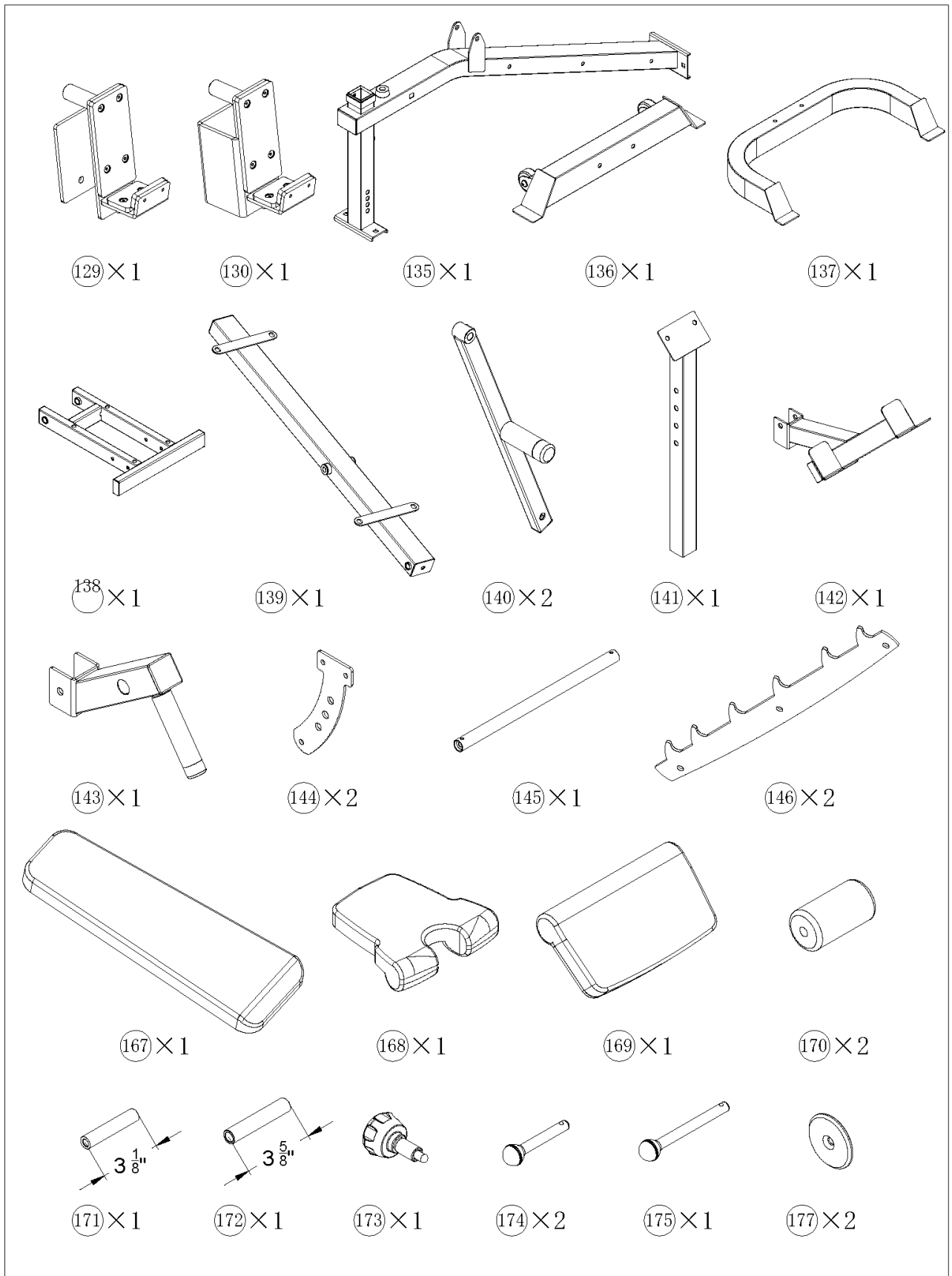
157 × 2







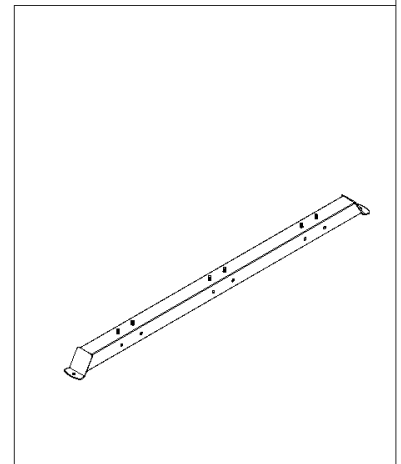
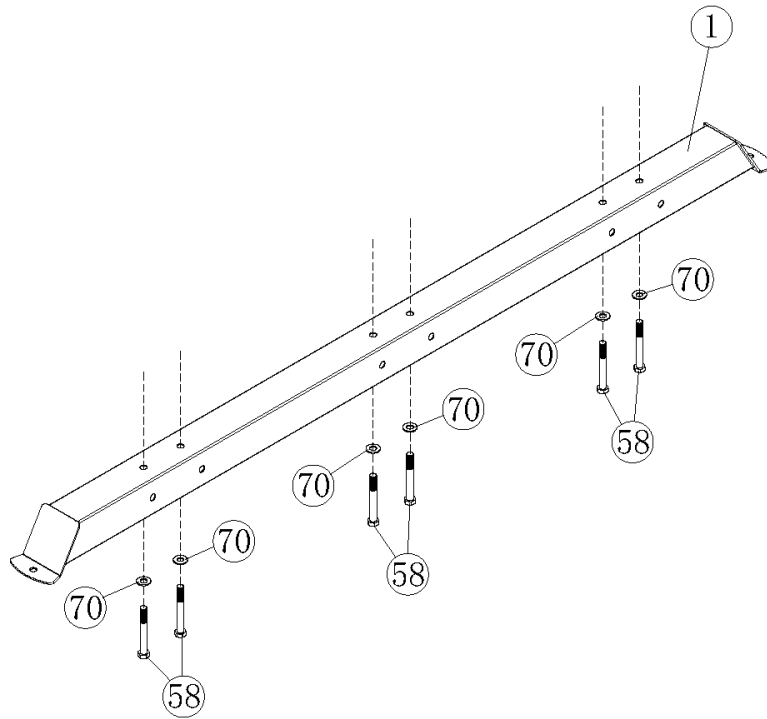
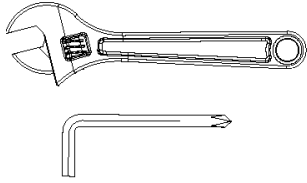




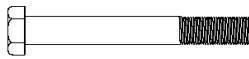




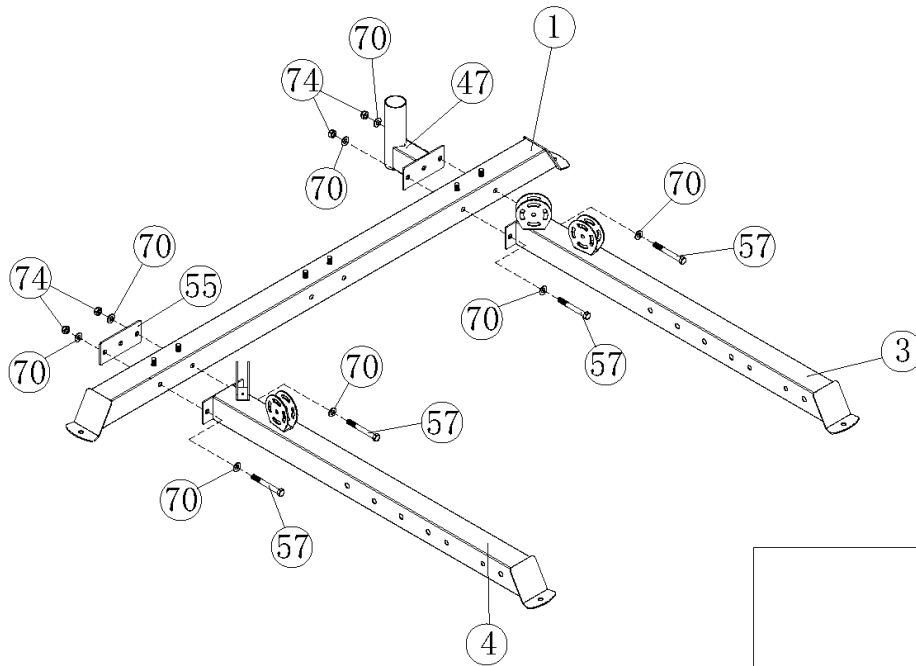
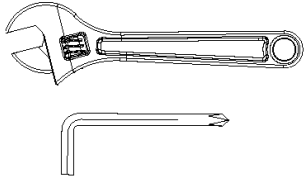
⑤⑧        6    M12 × 3 3/4"

⑦⑦        6    Ø 1"

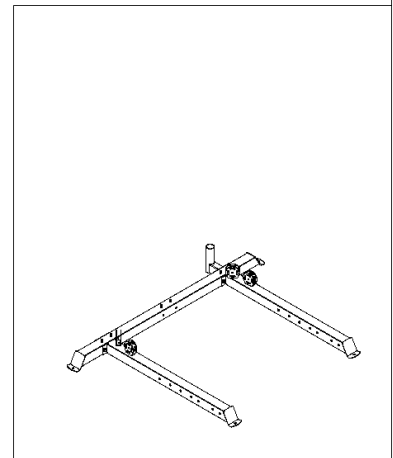


1

57		4	M12 × 4"
70		8	Ø 1"
74		4	M12



2



70



6

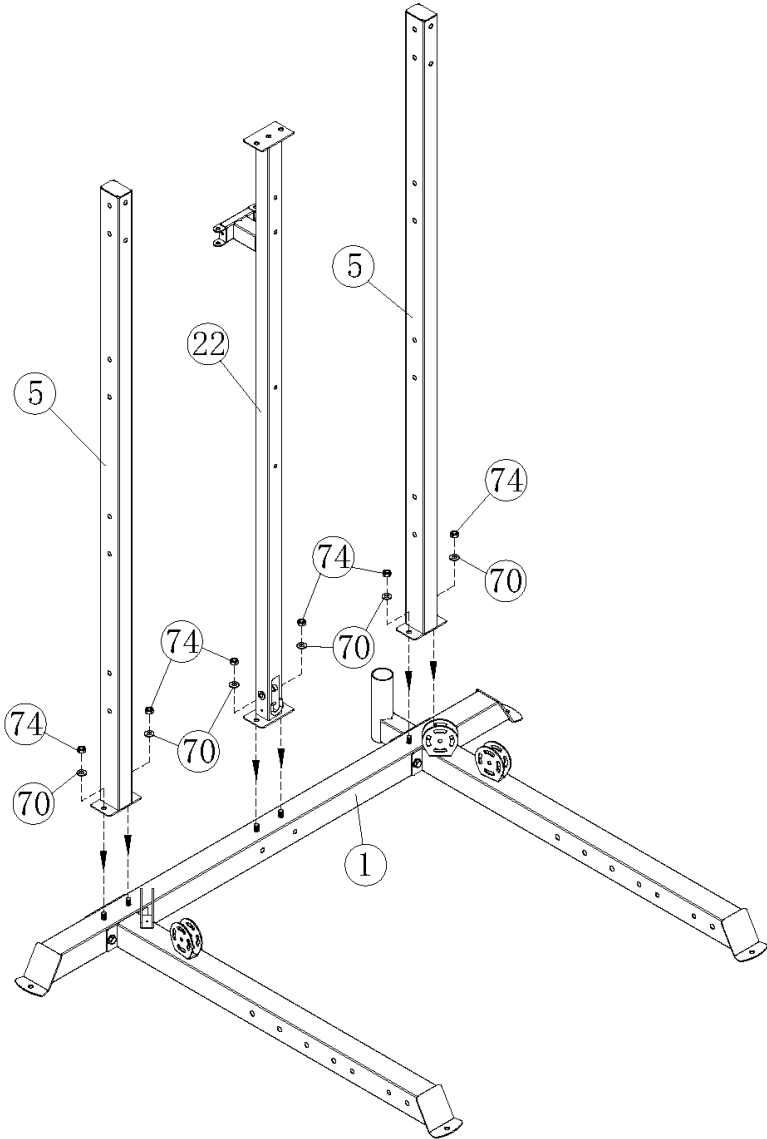
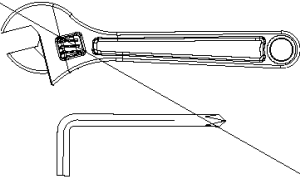
Ø 1"

74

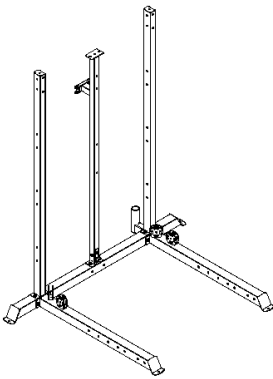


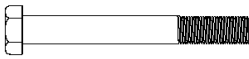


6

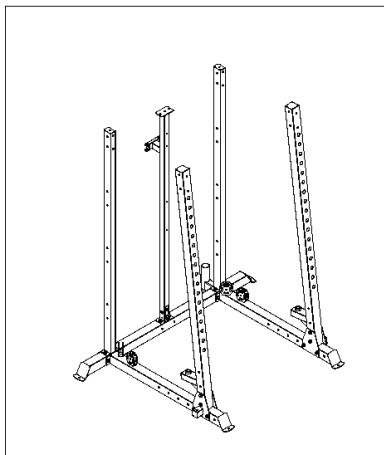
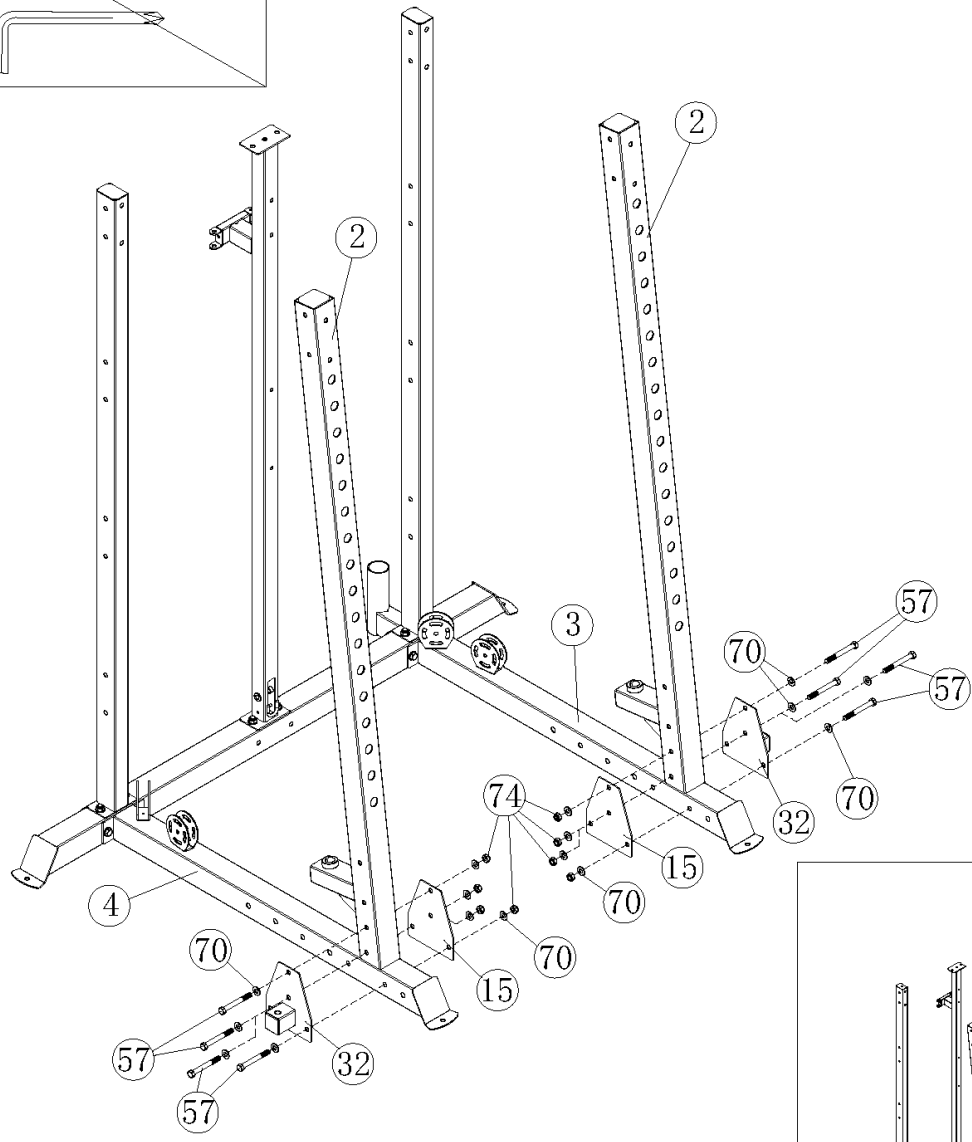
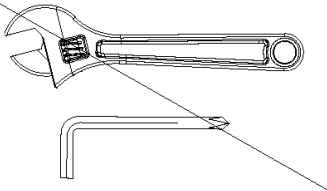
M12



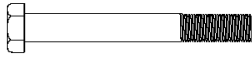
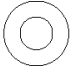
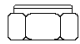
3

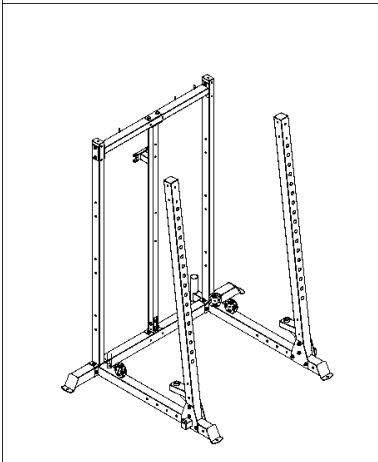
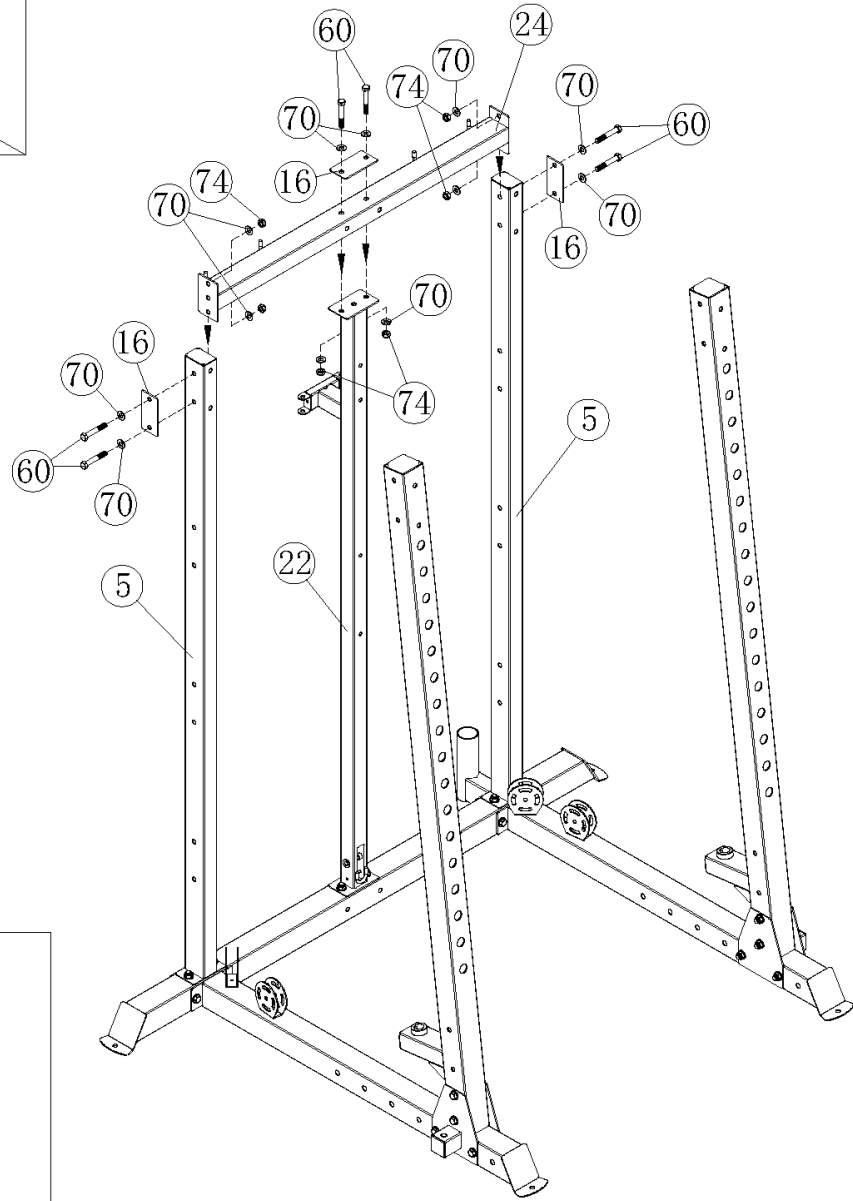
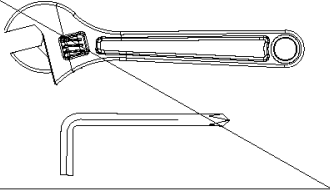


⑤7		8	M12 × 4"
⑦0		16	Ø 1"
⑦4		8	M12




4

60		6	M12 × 3"
70		12	Ø 1"
74		6	M12

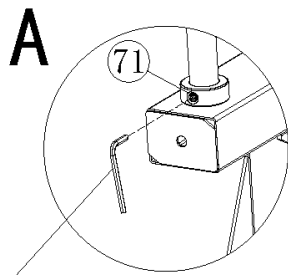
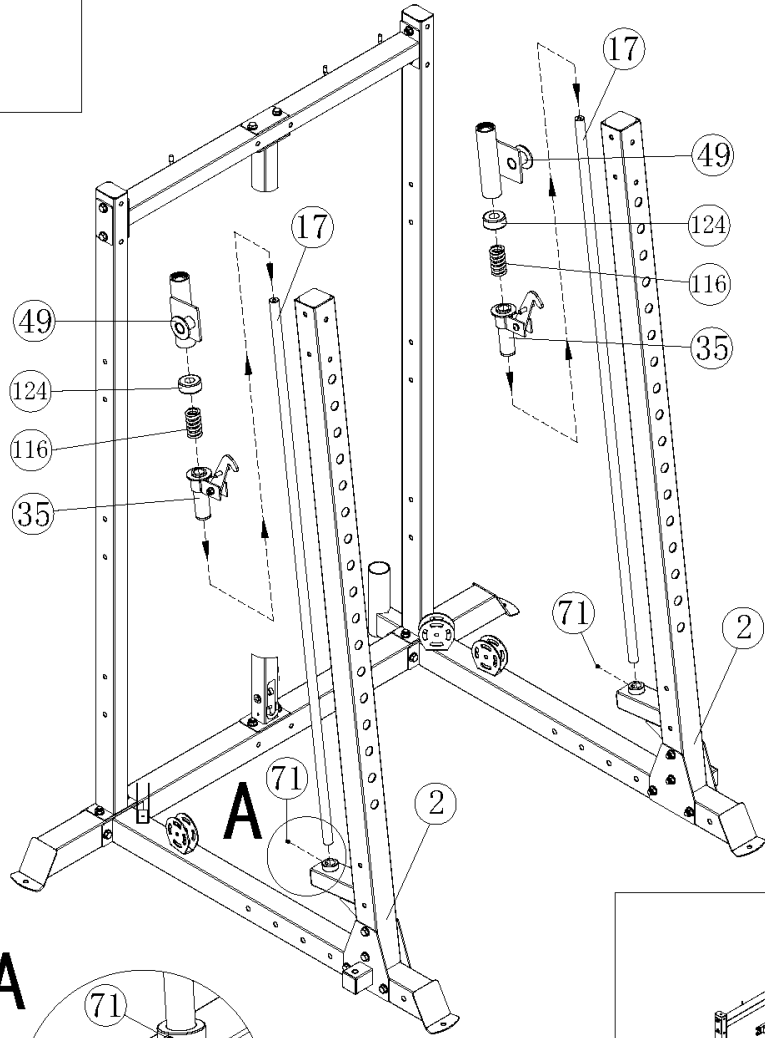
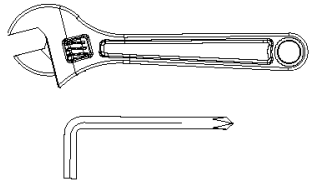


5

④2  2 M8 ×  $\frac{3}{8}$ "

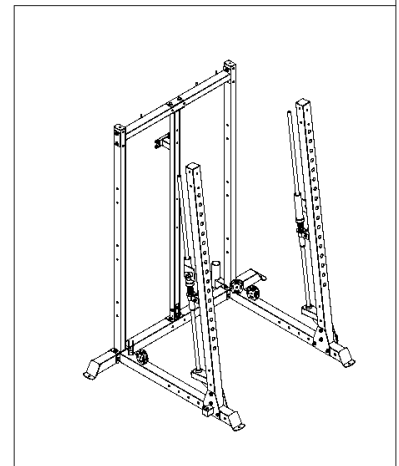


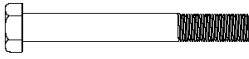


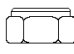

4# Allen Wrench (Tool)

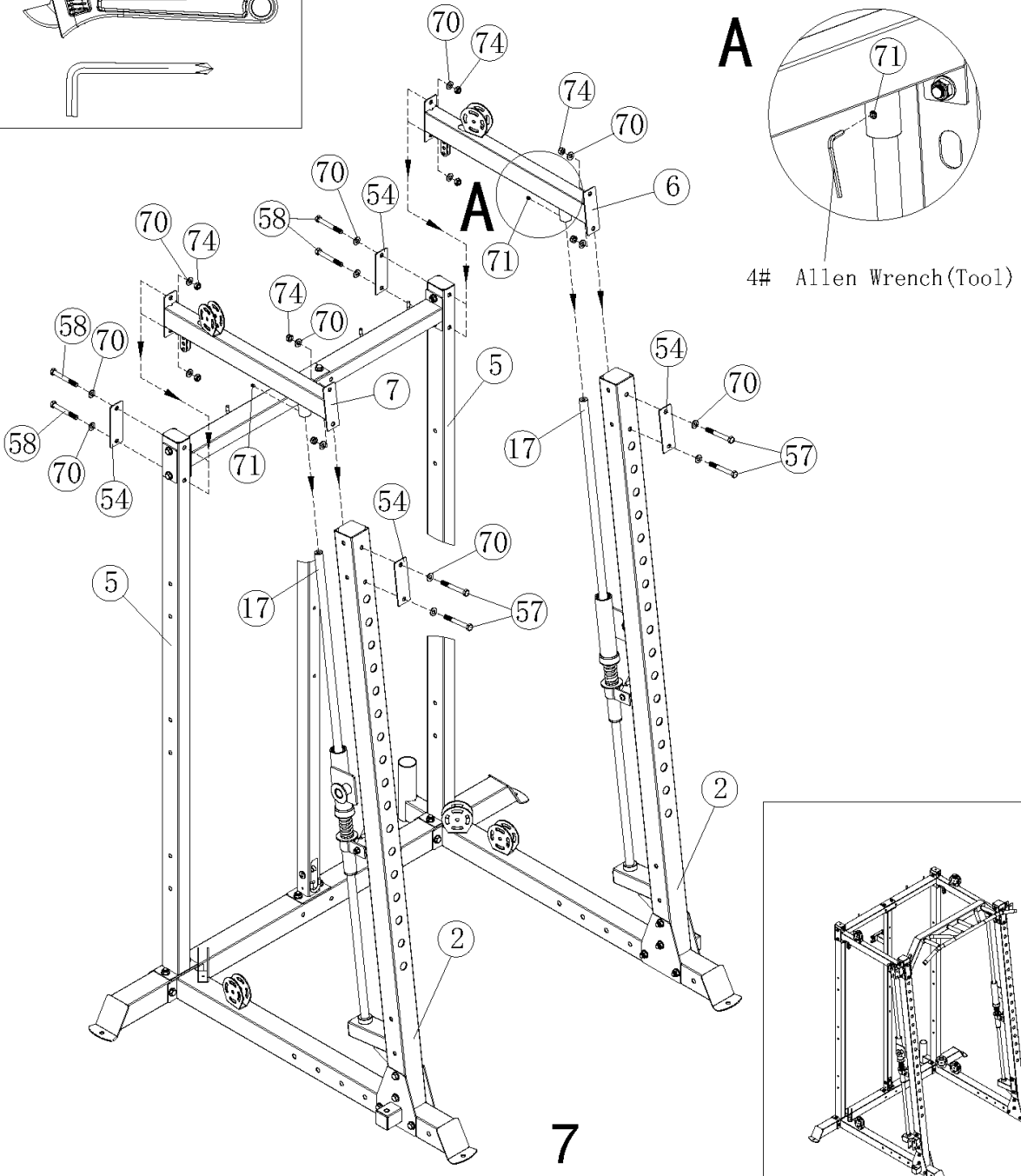
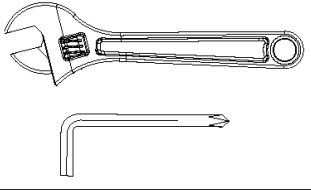





4# Allen Wrench (Tool)

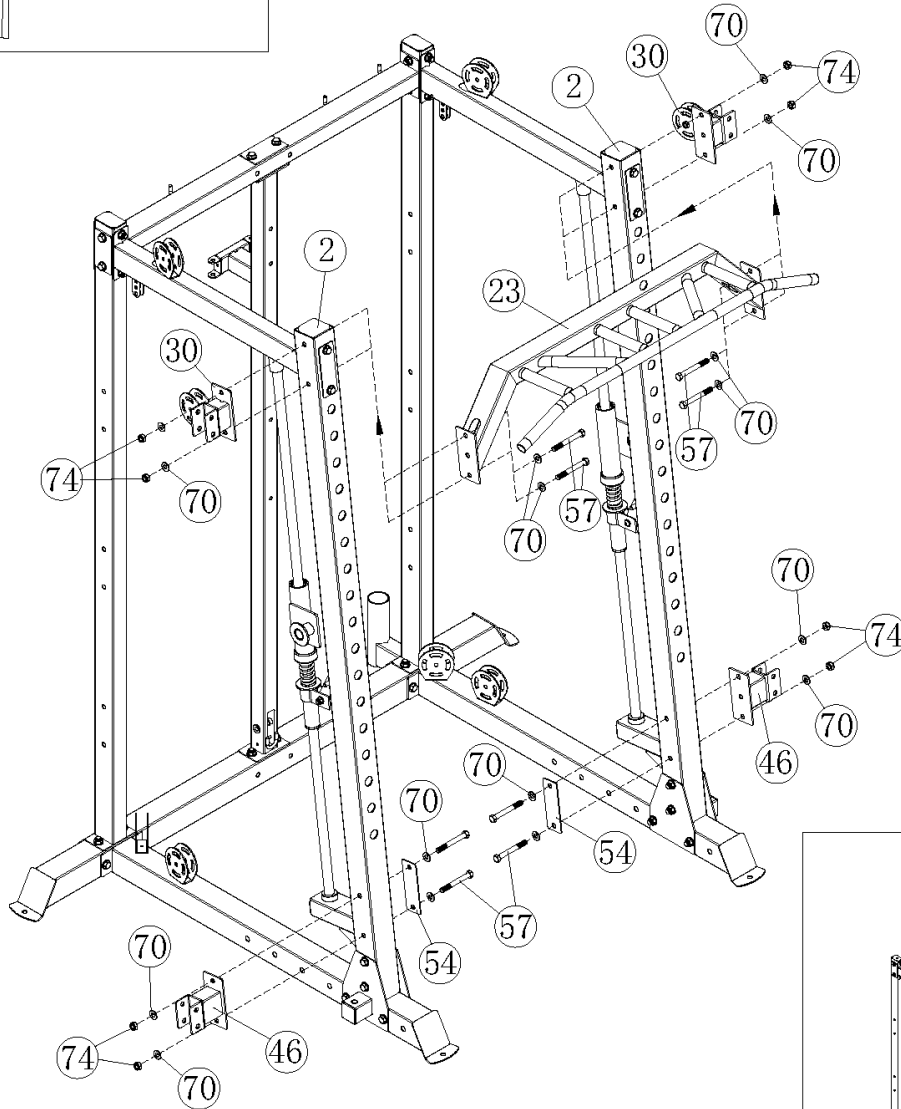
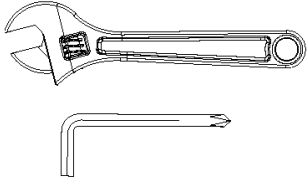
6



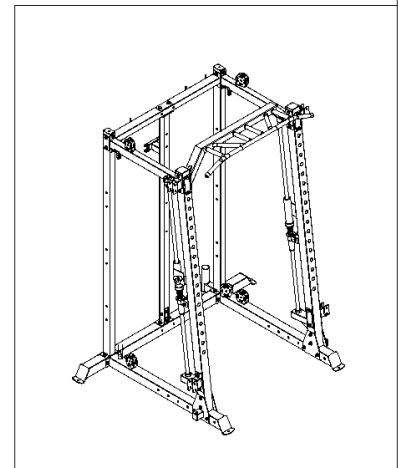
- |    |                                                                                   |   |              |    |                                                                                     |    |      |
|----|-----------------------------------------------------------------------------------|---|--------------|----|-------------------------------------------------------------------------------------|----|------|
| ⑤7 |  | 8 | M12 × 4"     | ⑦0 |  | 16 | Ø 1" |
| ⑤8 |  | 6 | M12 × 3 3/4" | ⑦4 |  | 8  | M12  |
| ④2 |  | 2 | M8 × 3/8"    |    |                                                                                     |    |      |



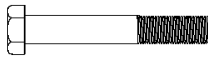
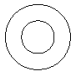
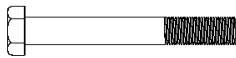
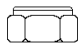
57		8	M12 × 4"
70		16	Ø 1"
74		8	M12

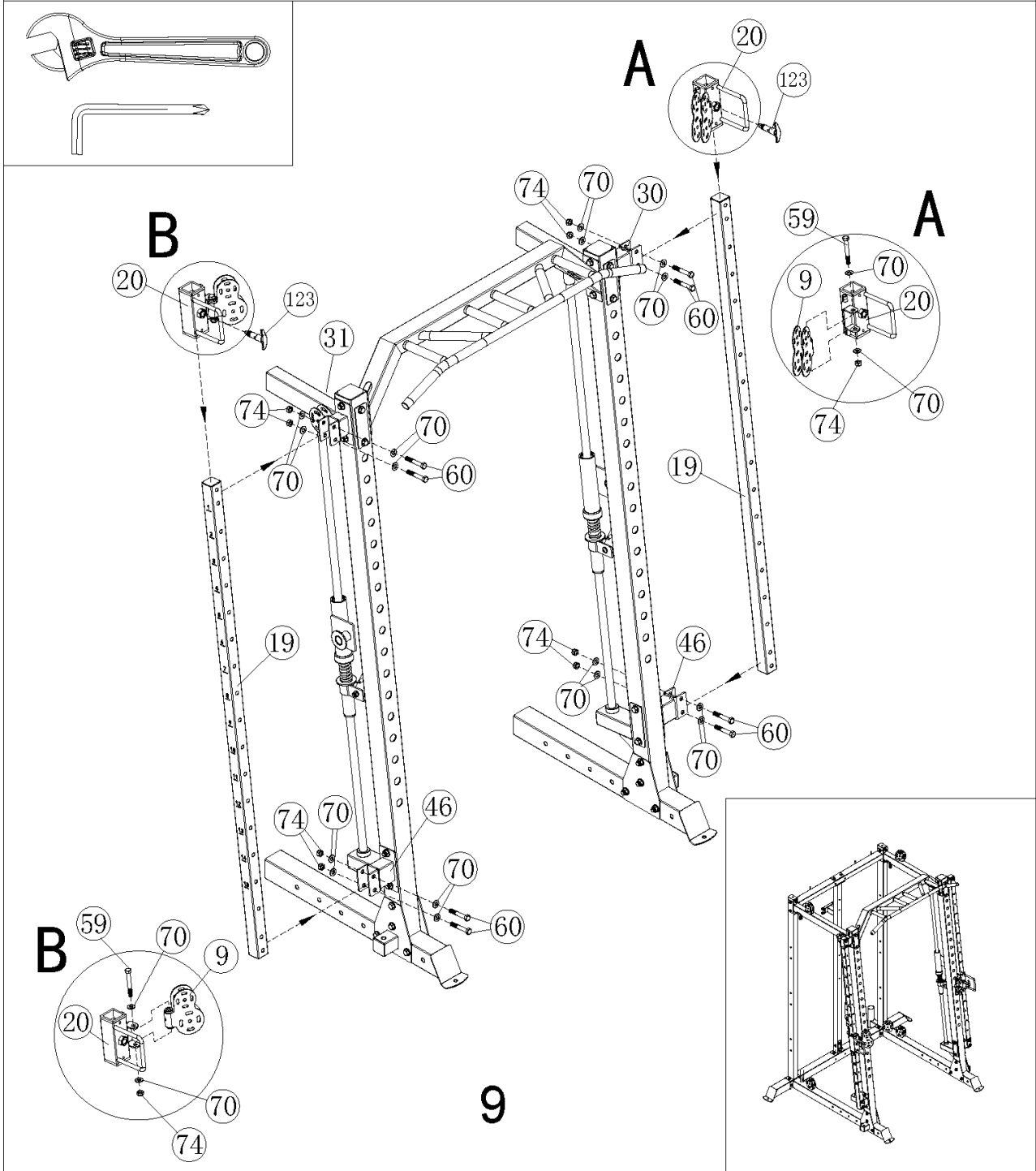
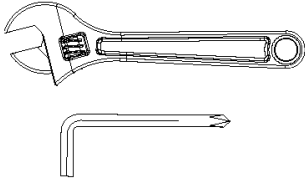


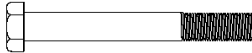

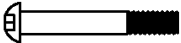



8

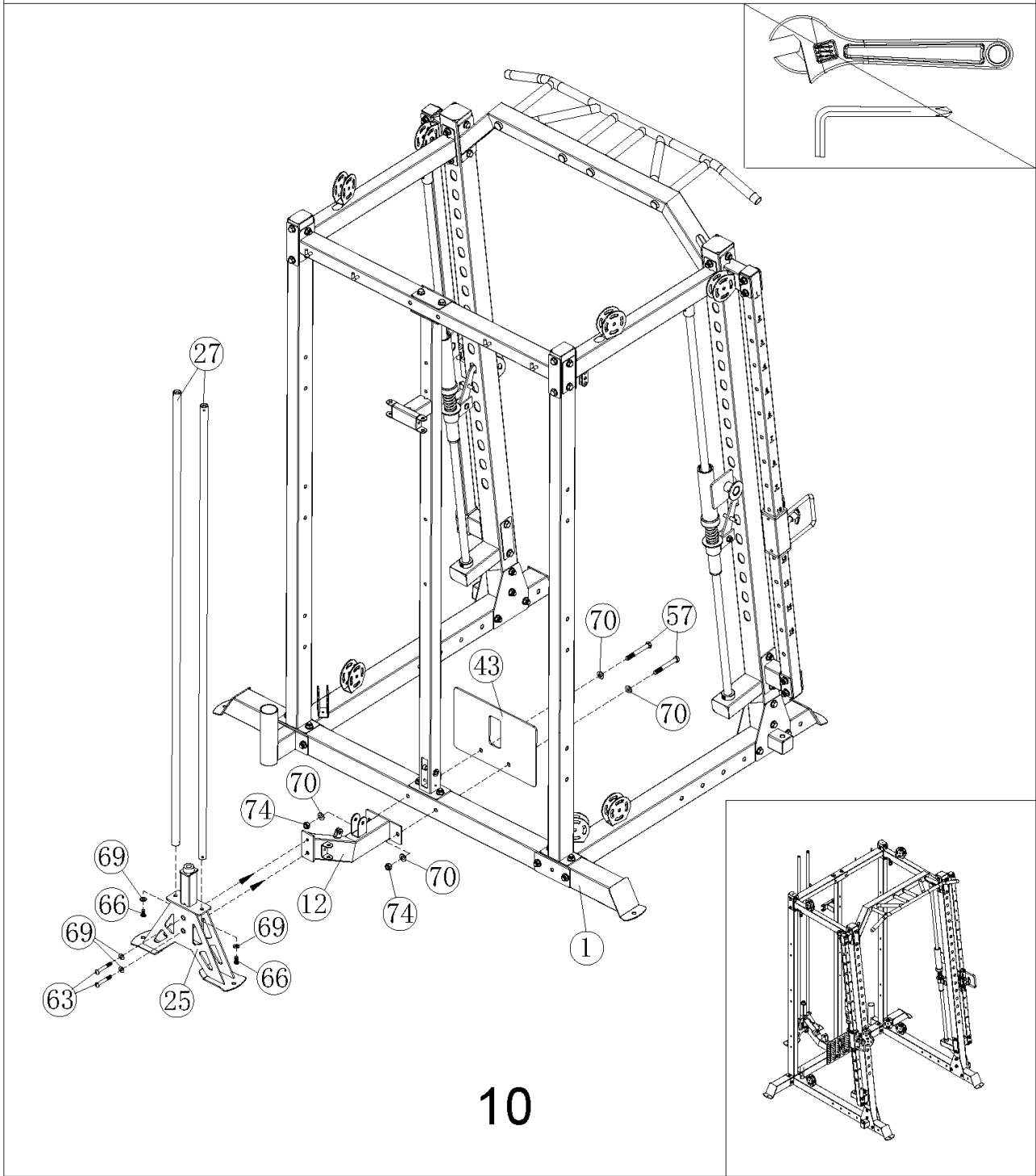




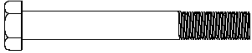
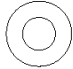

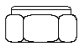

- |    |                                                                                   |   |              |    |                                                                                     |    |      |
|----|-----------------------------------------------------------------------------------|---|--------------|----|-------------------------------------------------------------------------------------|----|------|
| ⑥0 |  | 8 | M12 × 3"     | ⑦0 |  | 20 | Ø 1" |
| ⑥0 |  | 2 | M12 × 3 1/2" | ⑦4 |  | 10 | M12  |

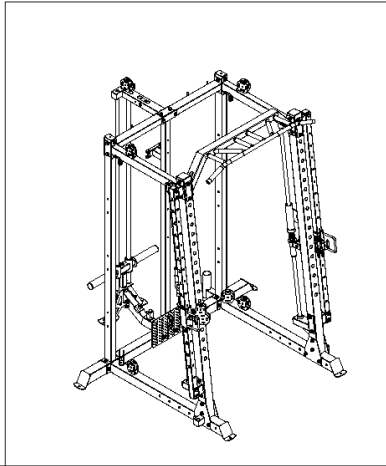
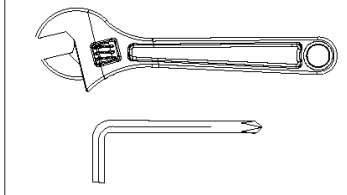
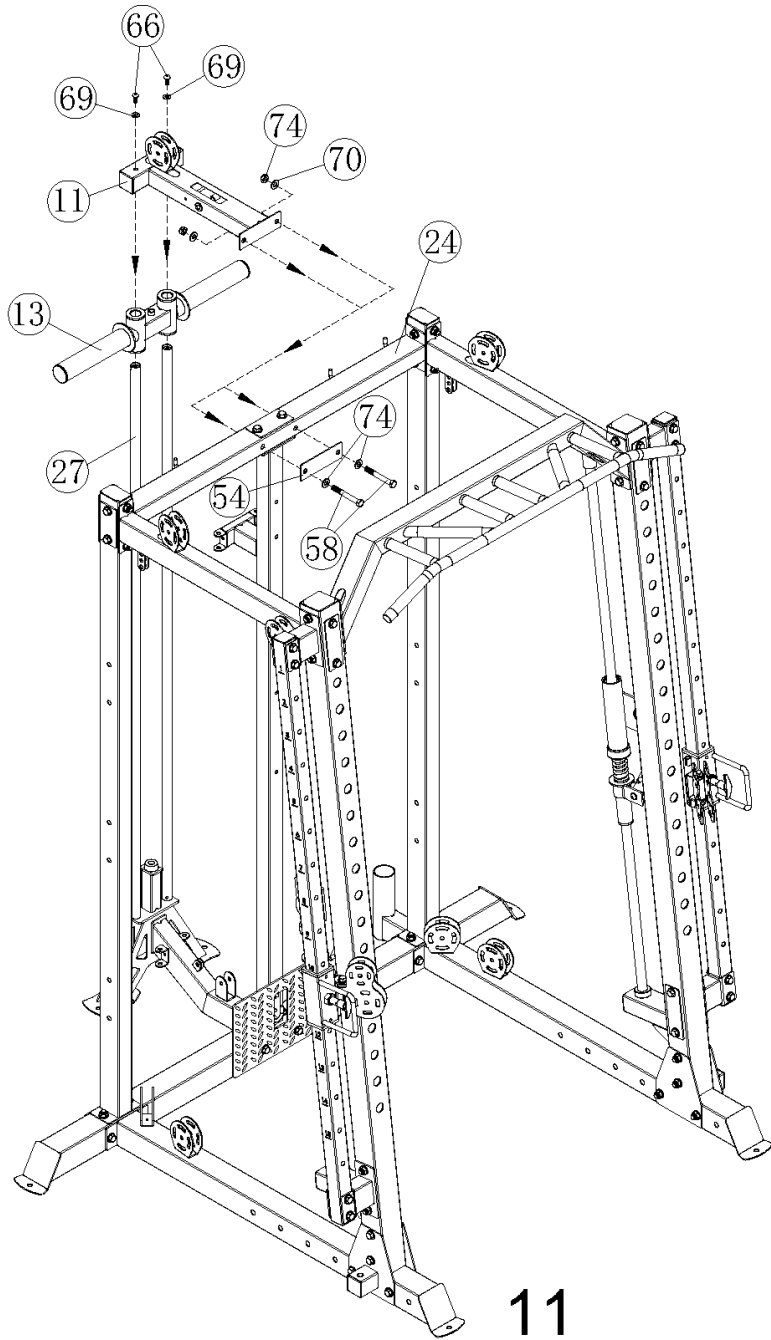


⑤7		2	M12 × 4"	⑦0		4	Ø 1"
⑥3		2	M10 × 2 1/2"	⑦4		2	M12
⑥6		2	M10 × 3/4"	⑥9		4	Ø 3/4"

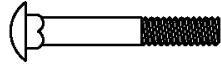

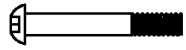



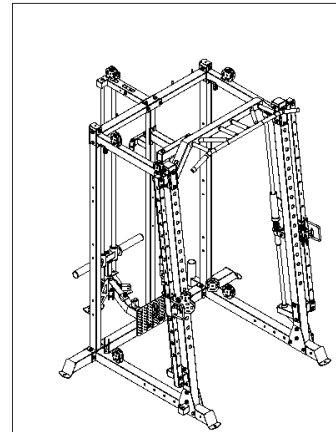
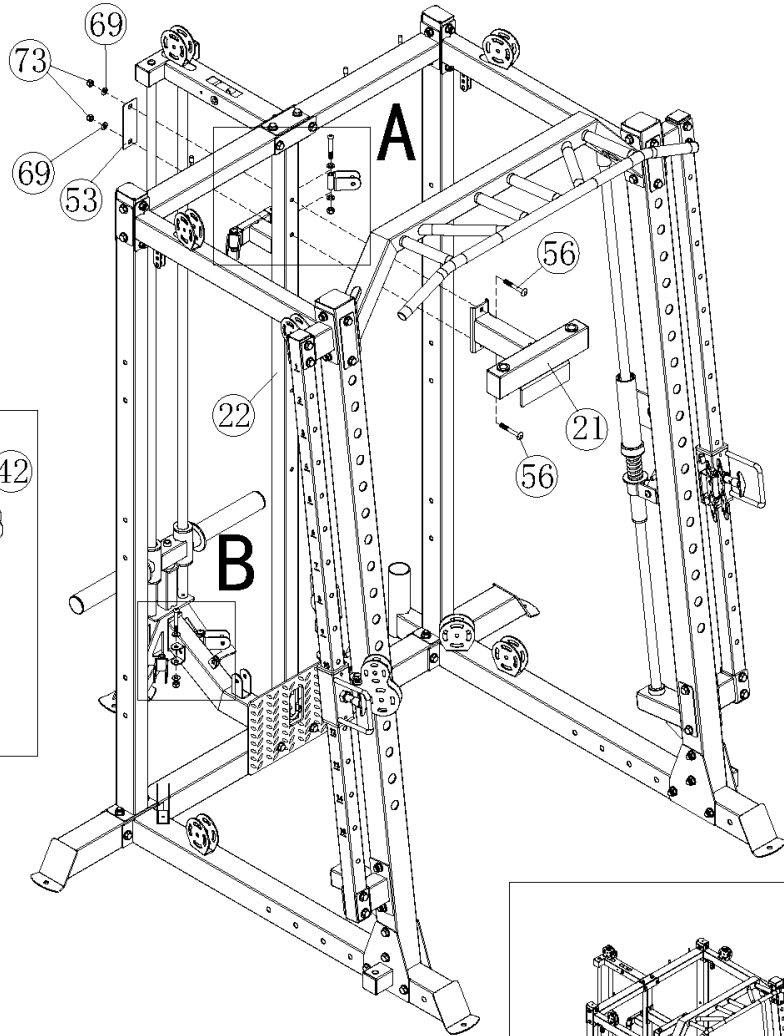
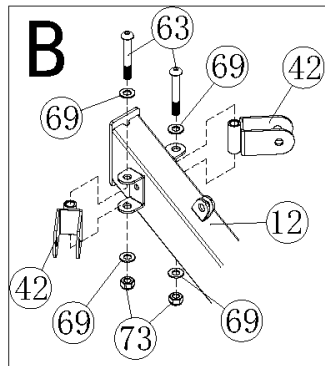
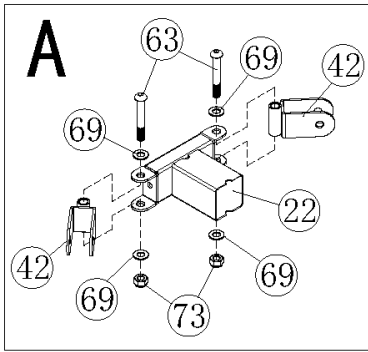
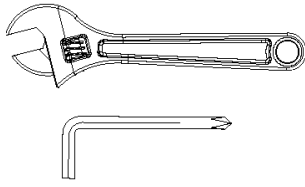
10

⑤⑧		2	M12×3 3/4"	⑦⑦		4	Ø 1"
⑥⑥		2	M10×3/4"	⑦④		2	M12
⑥⑨		2	Ø 3/4"				



11

- |    |                                                                                   |   |            |    |                                                                                     |    |        |
|----|-----------------------------------------------------------------------------------|---|------------|----|-------------------------------------------------------------------------------------|----|--------|
| ⑤⑥ |  | 2 | M10×2 3/4" | ⑥⑨ |  | 10 | ∅ 3/4" |
| ⑥③ |  | 4 | M10×2 3/4" | ⑦③ |  | 6  | M10    |



12

66



2

M10× $\frac{3}{4}$ "

69



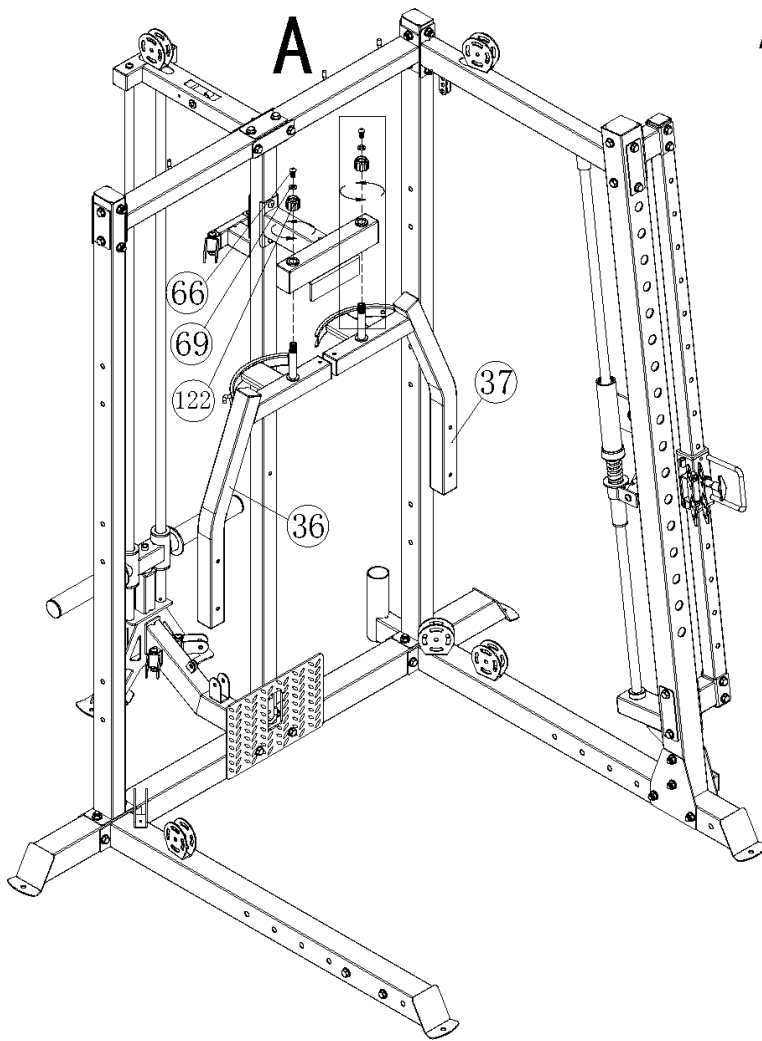
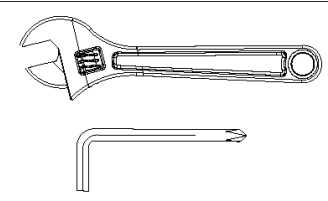
2

69

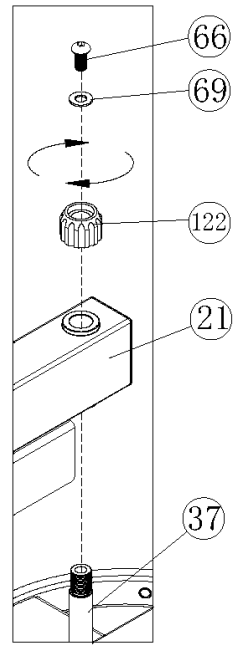


2

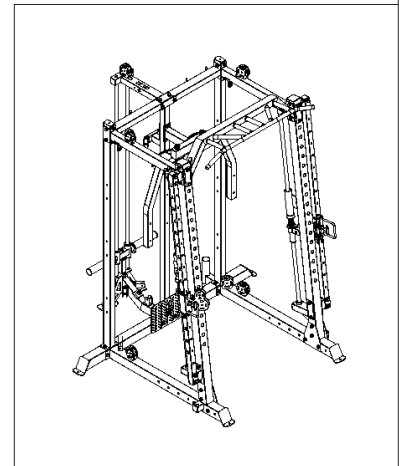
$\varnothing \frac{3}{4}$ "

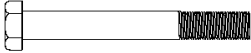

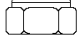


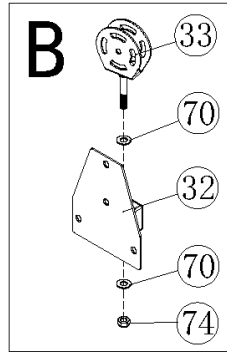
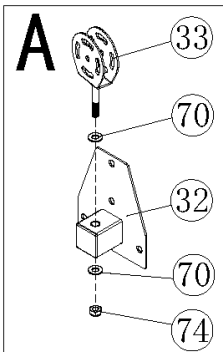
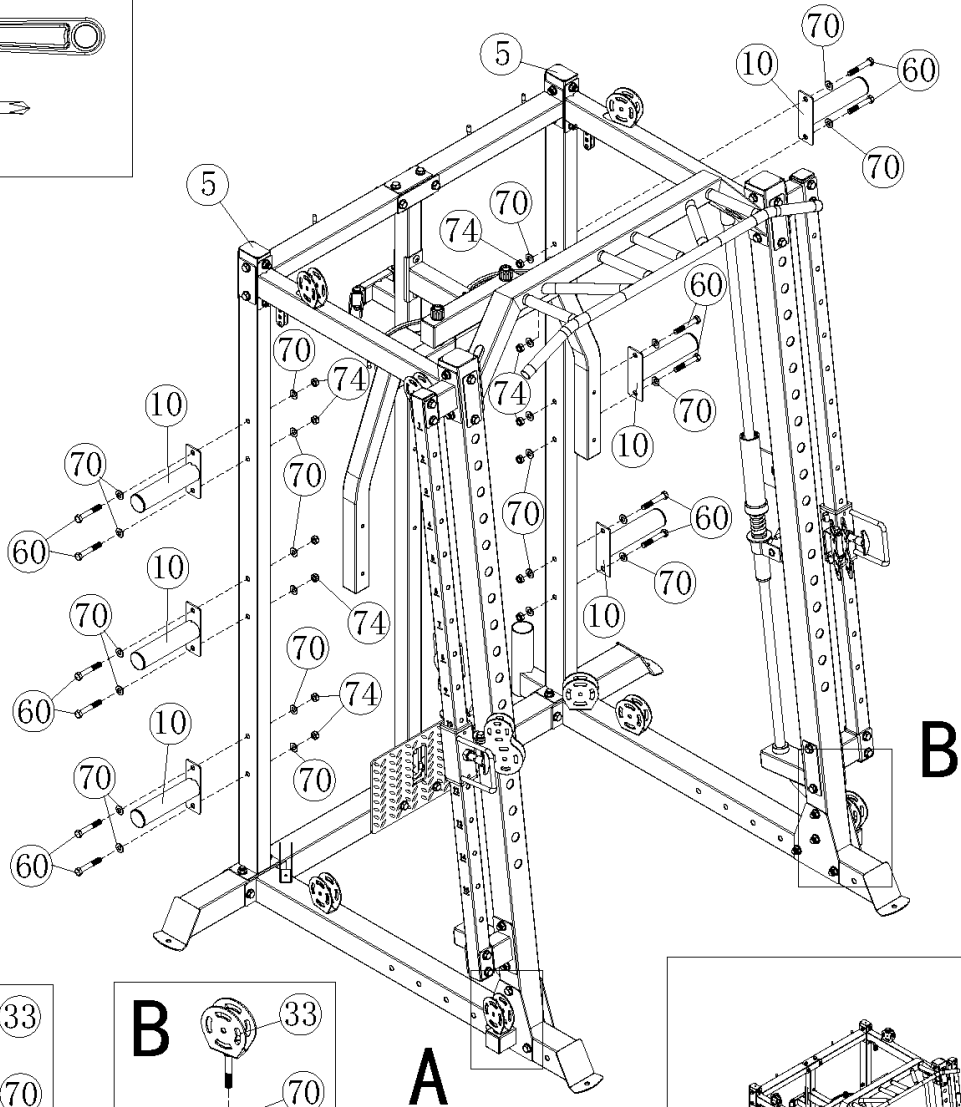
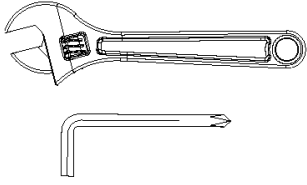
A



13



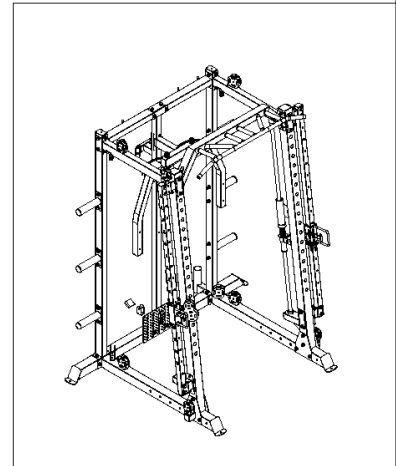
60		12	M12 × 3"
70		28	Ø 1"
74		14	M12



**A**

**B**

**14**

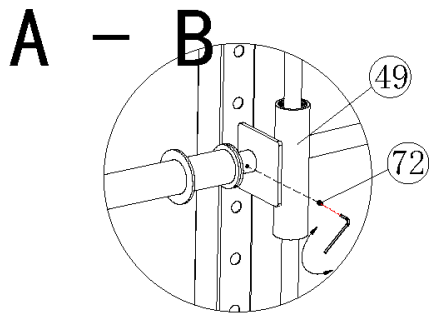
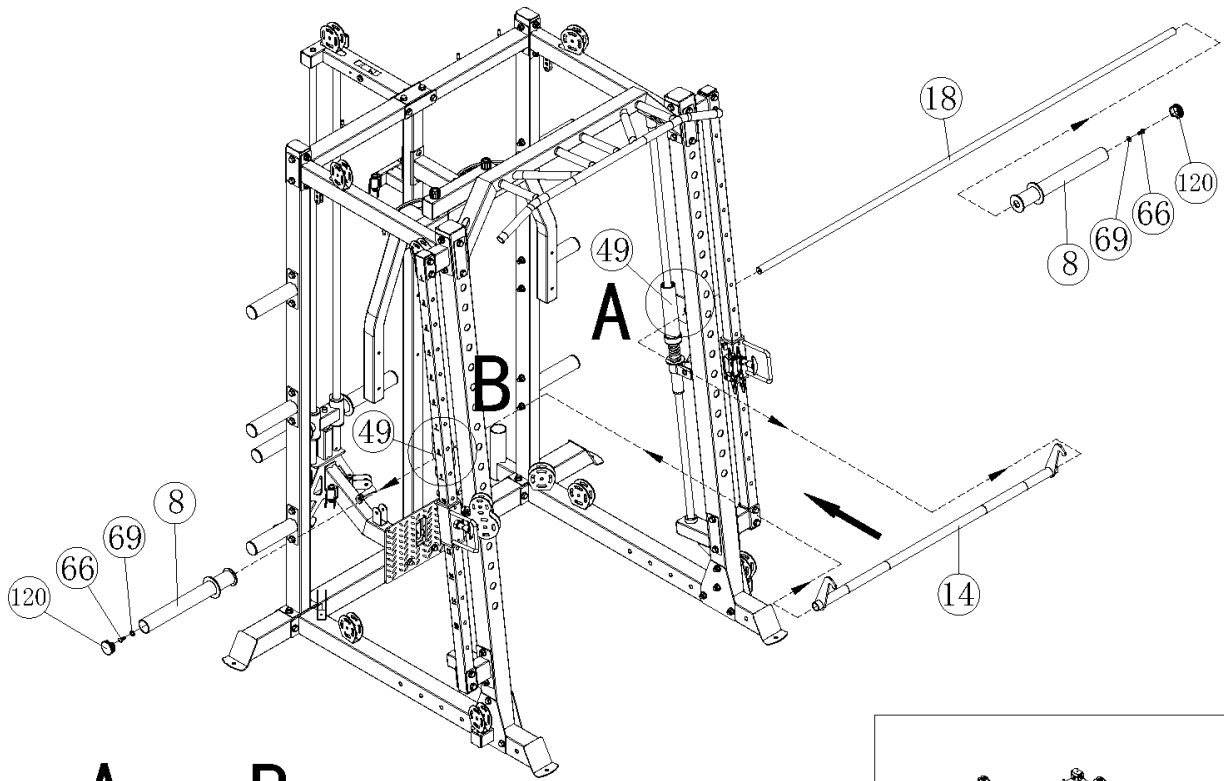
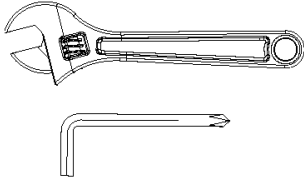


⑥⑥        2    M10× $\frac{3}{4}$ "

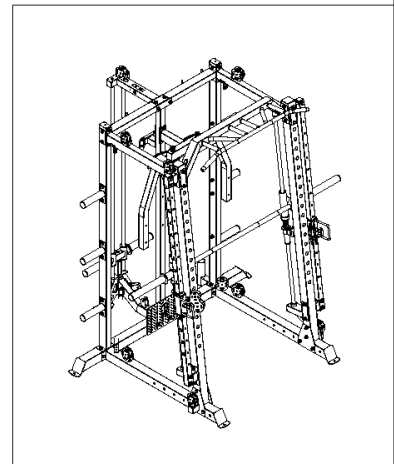
⑥⑨        2     $\varnothing \frac{3}{4}$ "

⑦②        2    M6× $\frac{1}{4}$ "

  
3#/6# Allen Wrench (Tool)



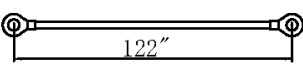
15

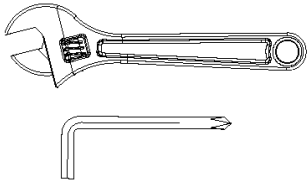


64  4 M10×2"

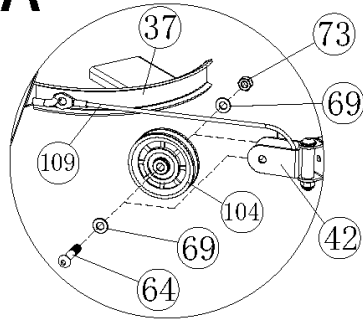
73  6 M10

69  10  $\varnothing \frac{3}{4}$ "

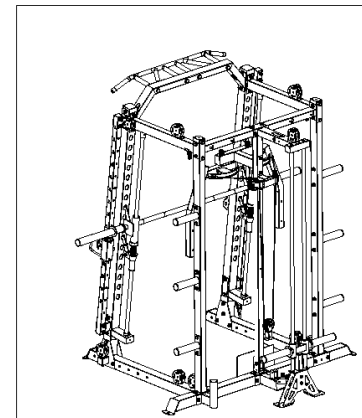
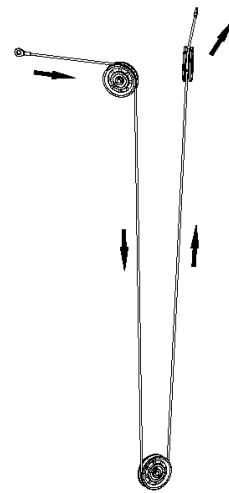
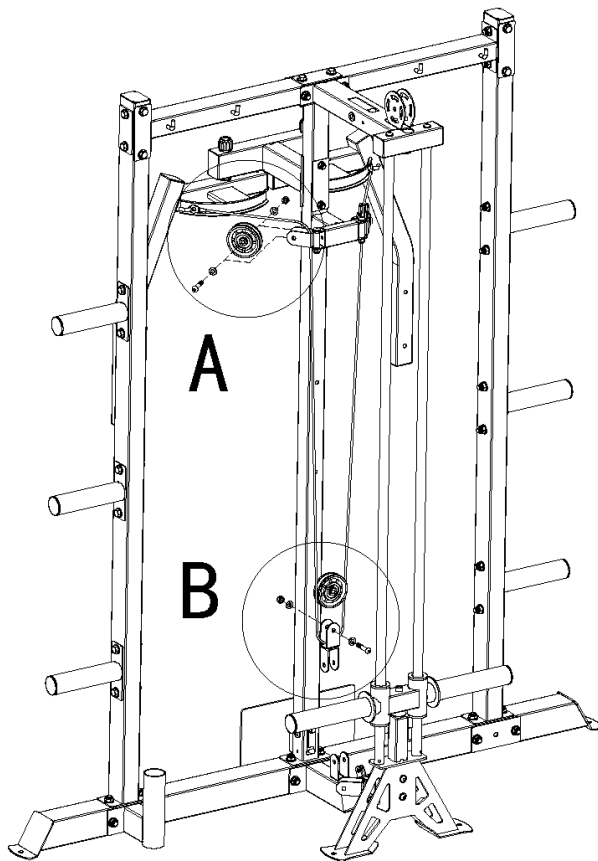
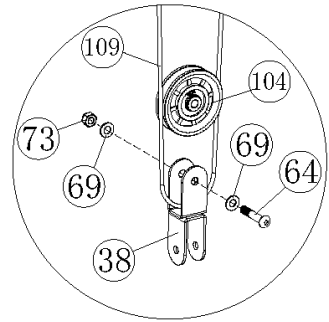
109  122" 1



**A**

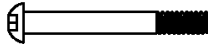

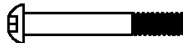

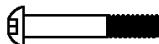
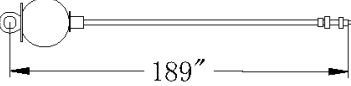


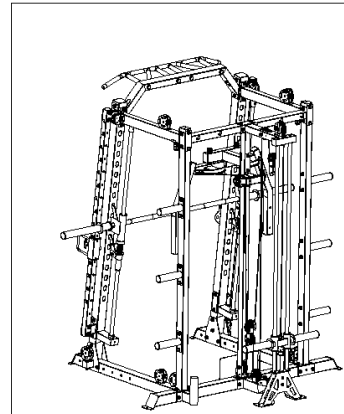
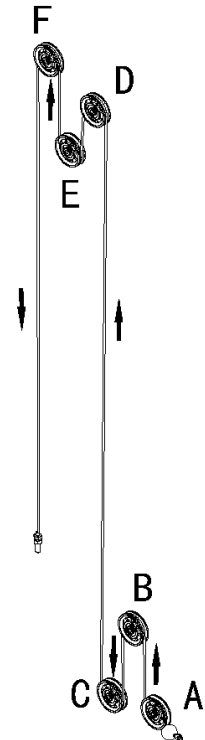
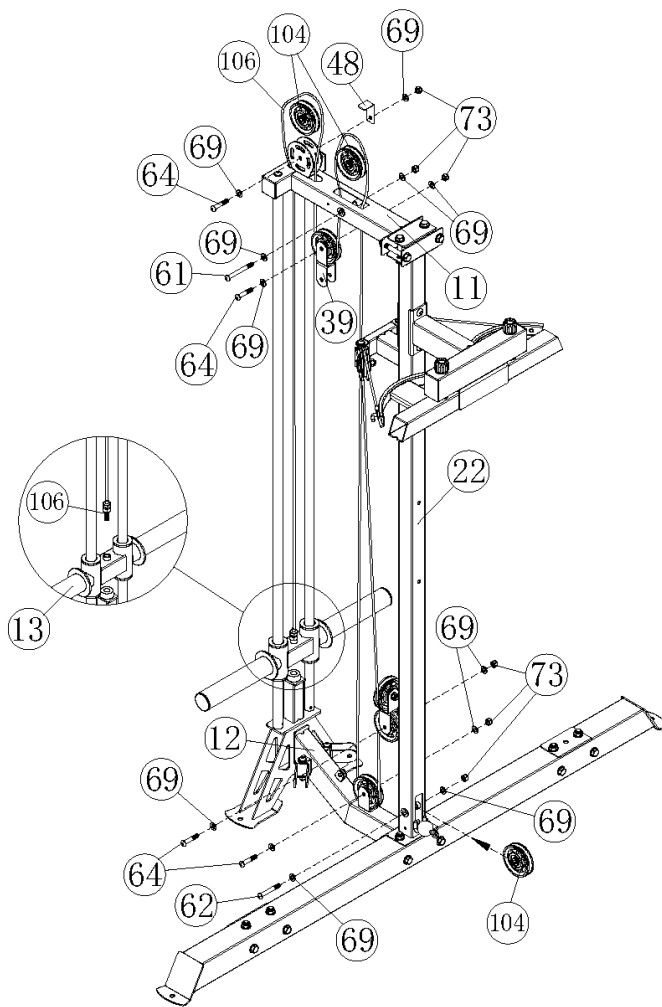
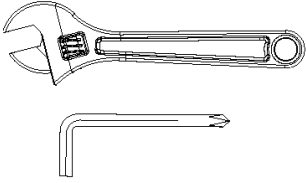
**B**



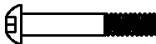


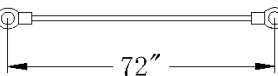

16

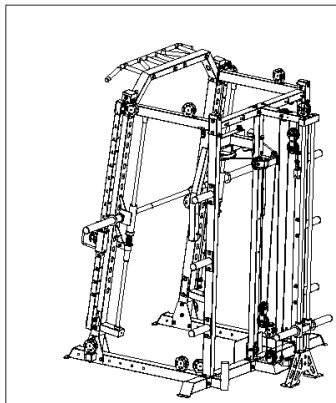
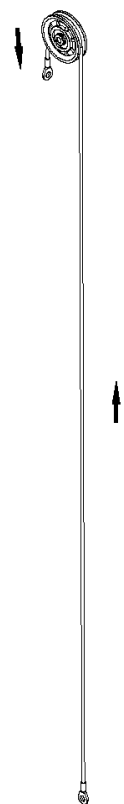
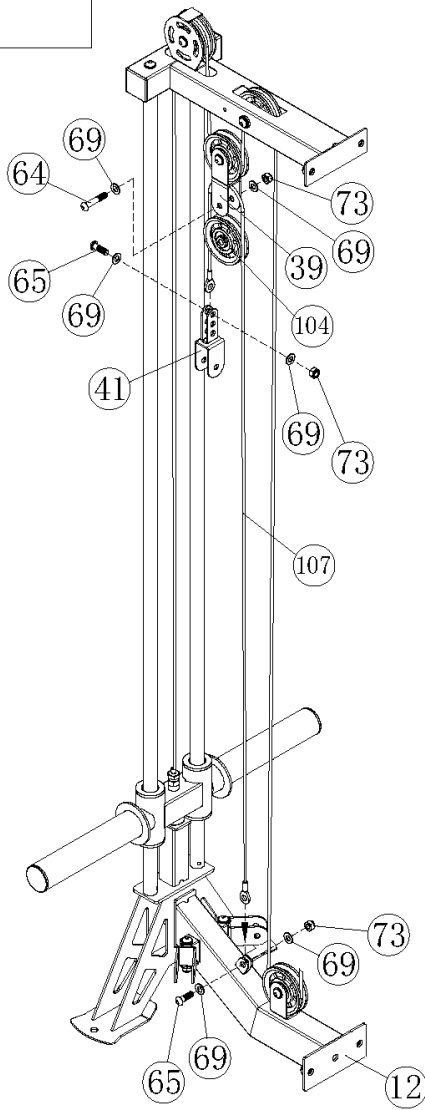
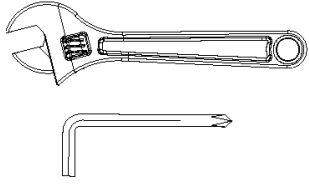


⑥1		1	M10×3 1/2"	⑥9		12	Ø 3/4"
⑥2		1	M10×2 3/4"	⑦3		6	M10
⑥4		4	M10×2"	⑩6		1	189"



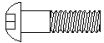
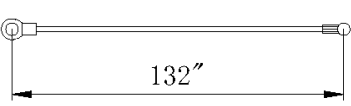



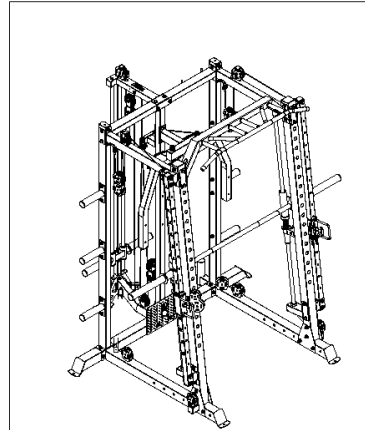
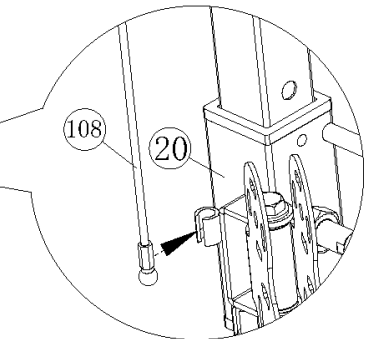
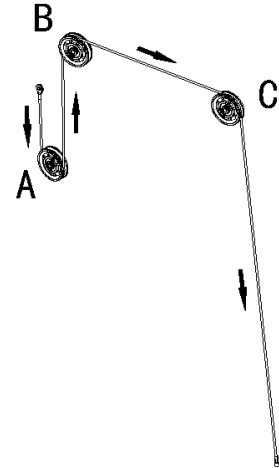
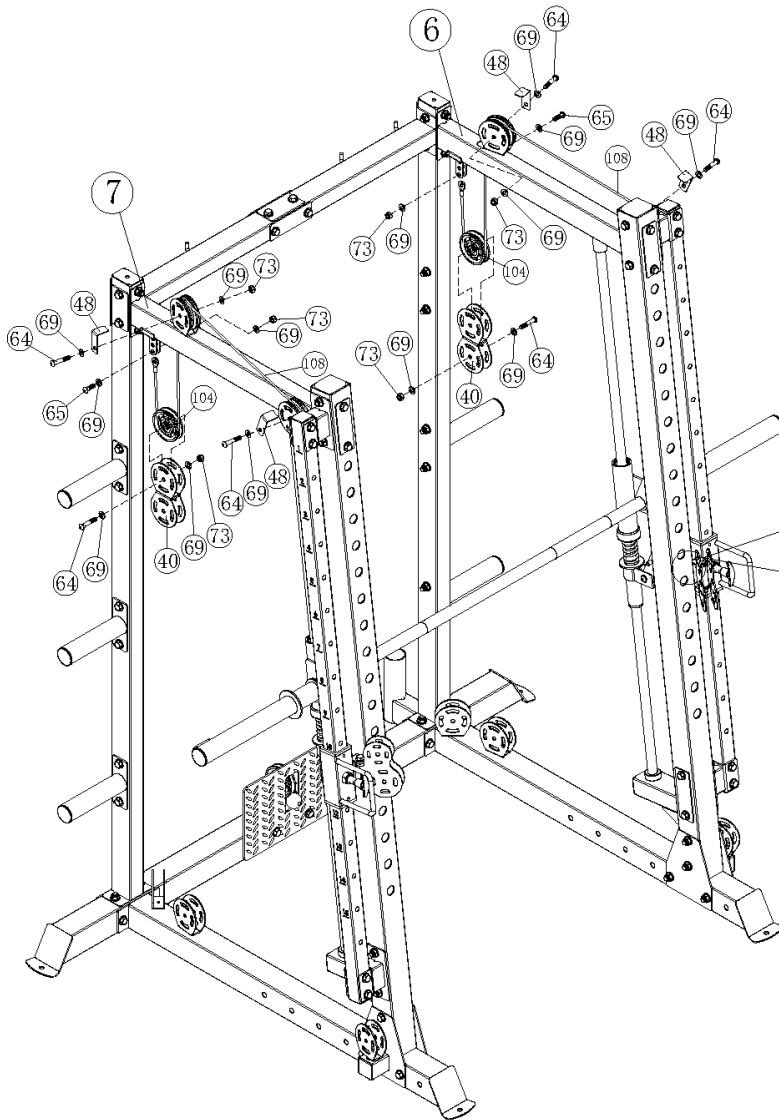
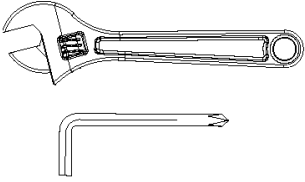
17

- |      |                                                                                   |   |            |       |                                                                                     |   |     |
|------|-----------------------------------------------------------------------------------|---|------------|-------|-------------------------------------------------------------------------------------|---|-----|
| (64) |  | 1 | M10×2"     | (73)  |  | 3 | M10 |
| (65) |  | 2 | M10×1 1/8" | (107) |  | 1 | 72" |
| (69) |  | 6 | Ø 3/4"     |       |                                                                                     |   |     |



18

- |      |                                                                                   |    |            |       |                                                                                     |   |      |
|------|-----------------------------------------------------------------------------------|----|------------|-------|-------------------------------------------------------------------------------------|---|------|
| (64) |  | 6  | M10×2"     | (73)  |  | 6 | M10  |
| (65) |  | 2  | M10×1 1/8" | (108) |  | 2 | 132" |
| (69) |  | 14 | Ø 3/4"     |       |                                                                                     |   |      |



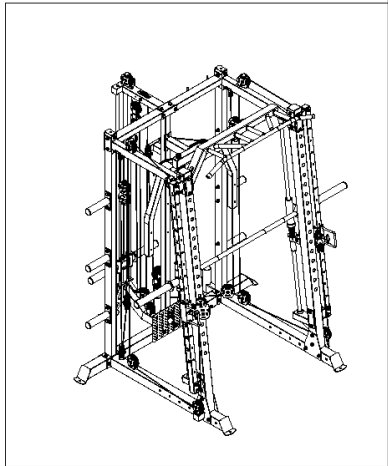
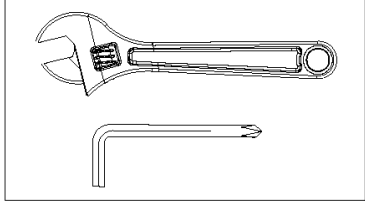
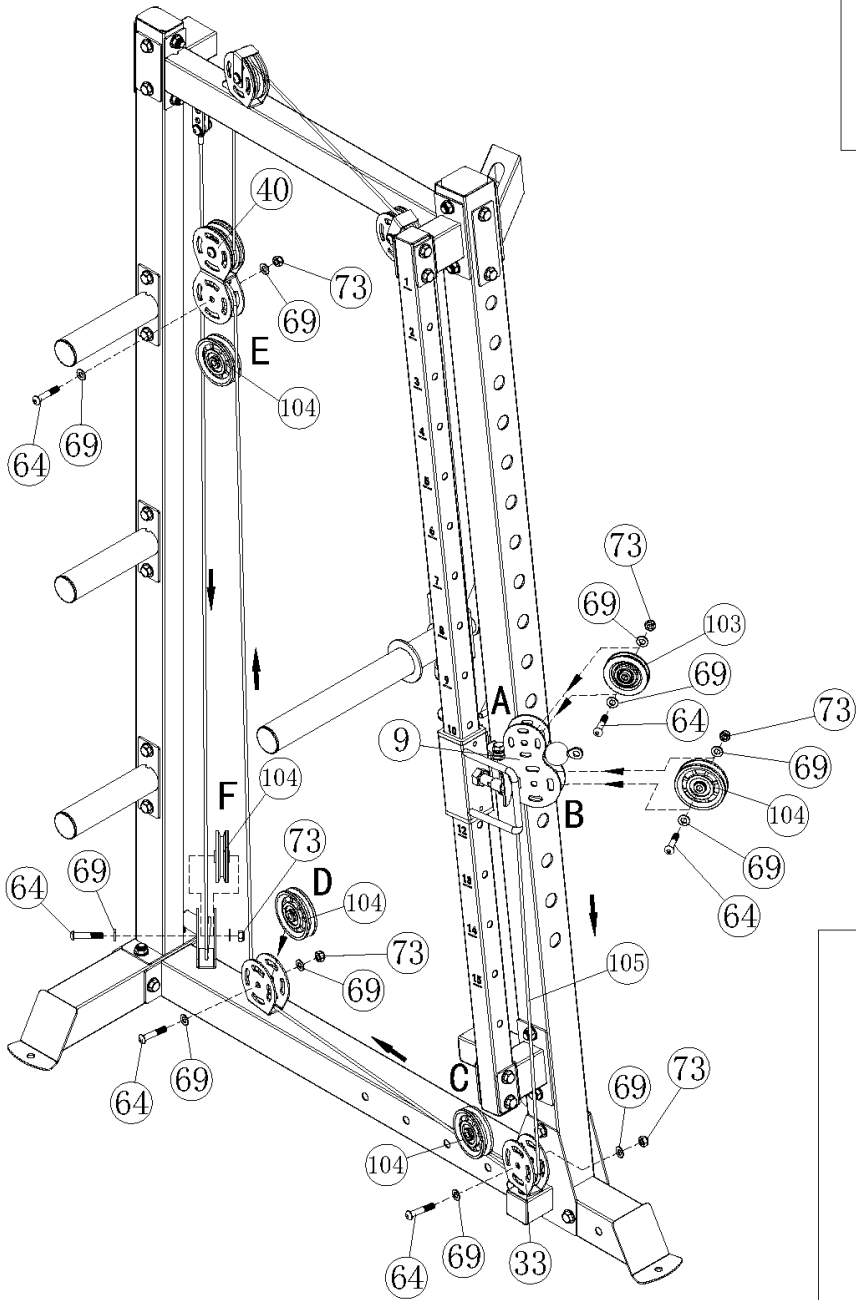
19

64 6 M10×2"

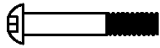
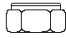

73 6 M10

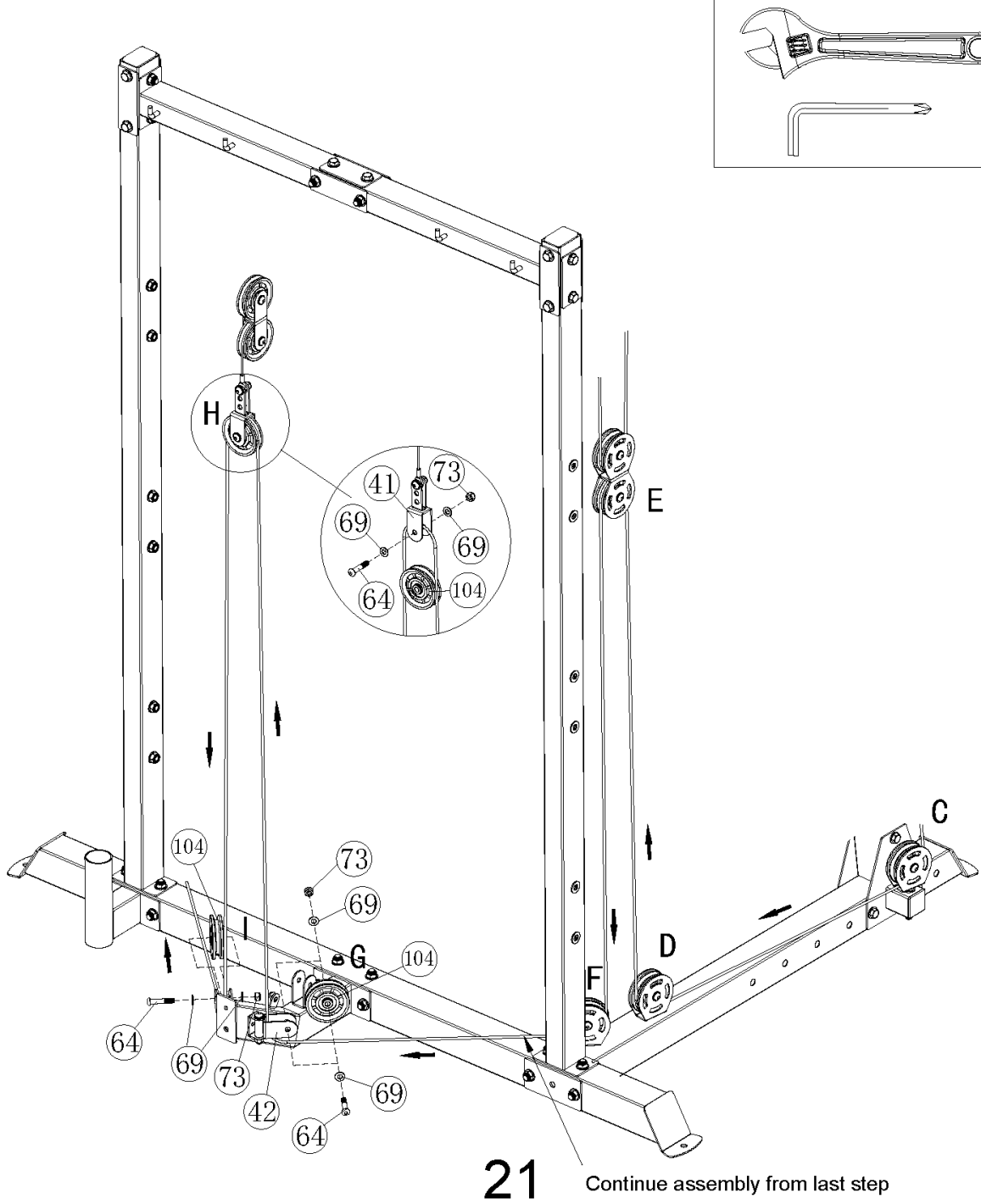
69 14 Ø 3/4"

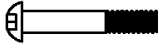


105 1 462"

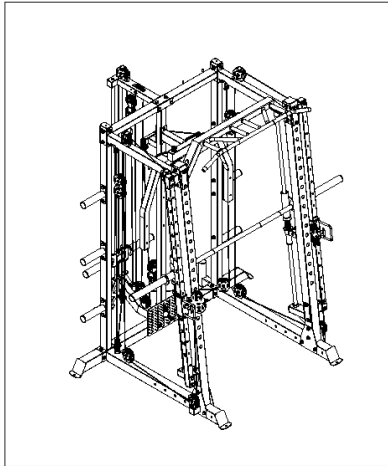
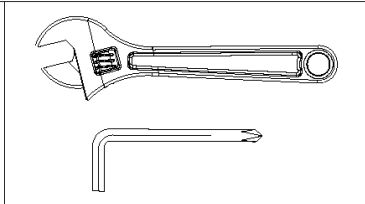
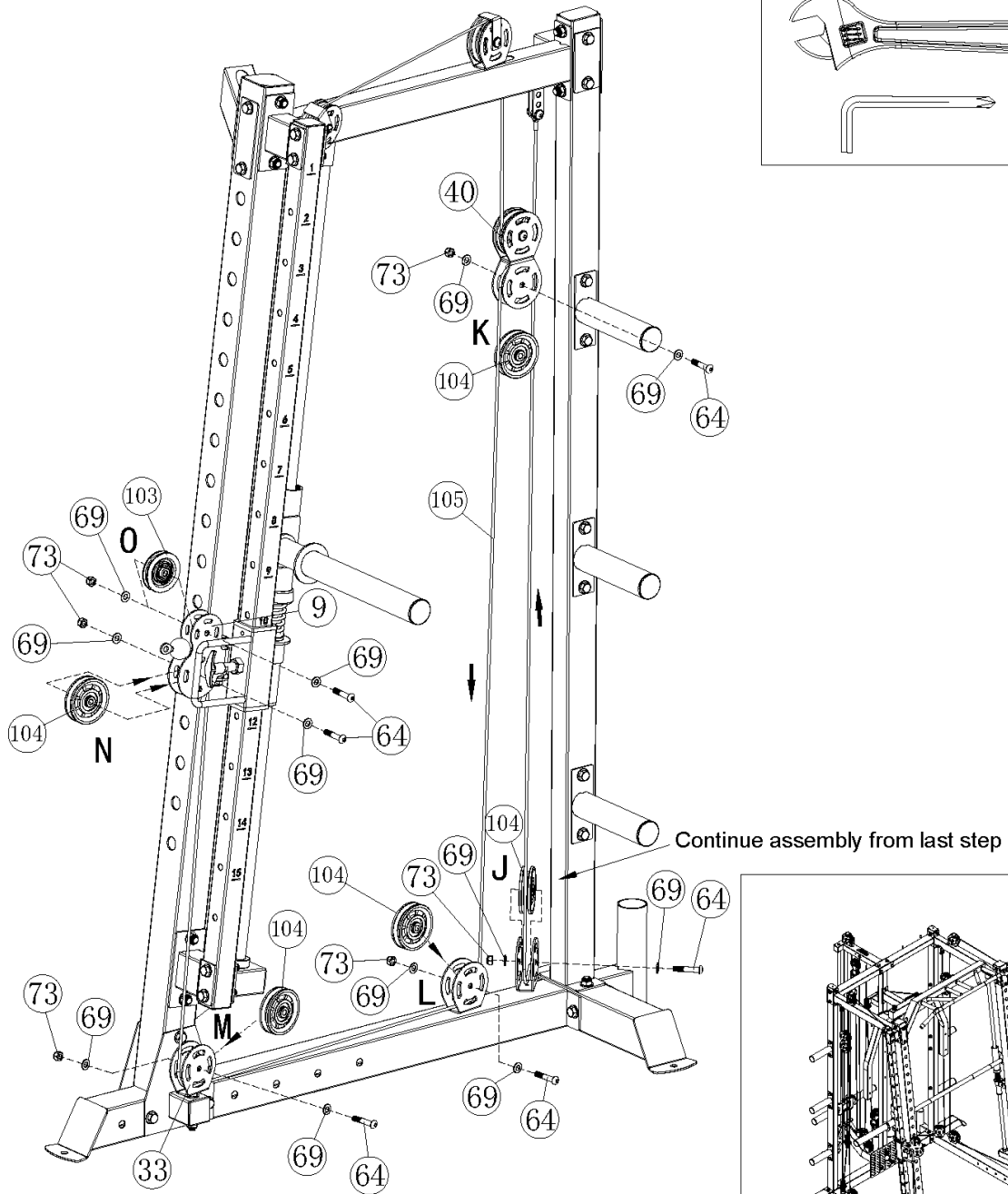


20

- |    |                                                                                   |   |        |    |                                                                                     |   |     |
|----|-----------------------------------------------------------------------------------|---|--------|----|-------------------------------------------------------------------------------------|---|-----|
| ⑥4 |  | 3 | M10×2" | ⑦3 |  | 3 | M10 |
| ⑥9 |  | 6 | Ø 3/4" |    |                                                                                     |   |     |

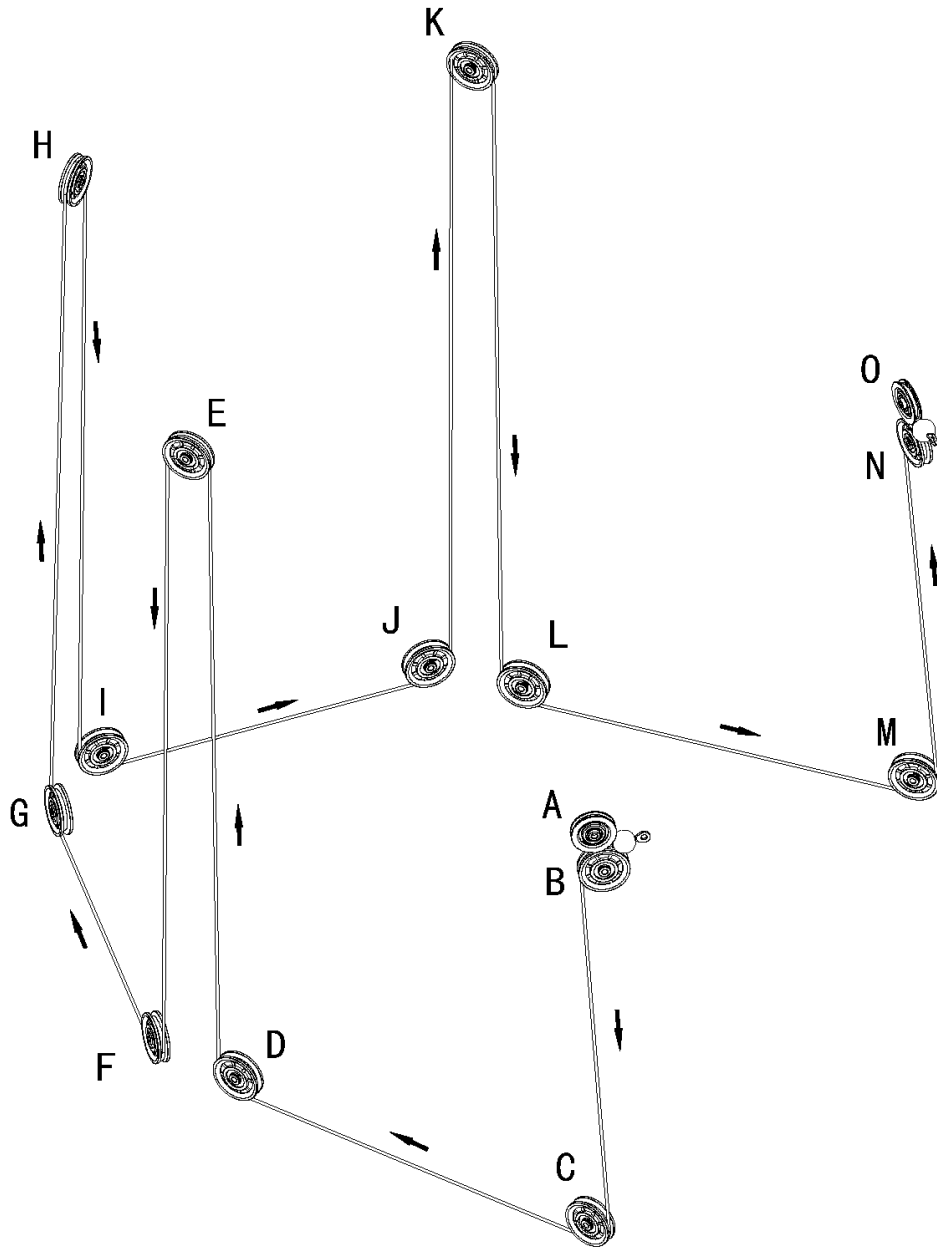


- (64)  6 M10×2"      (73)  6 M10  
 (69)  12 Ø 3/4"

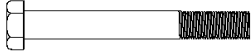
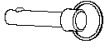
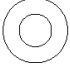
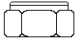


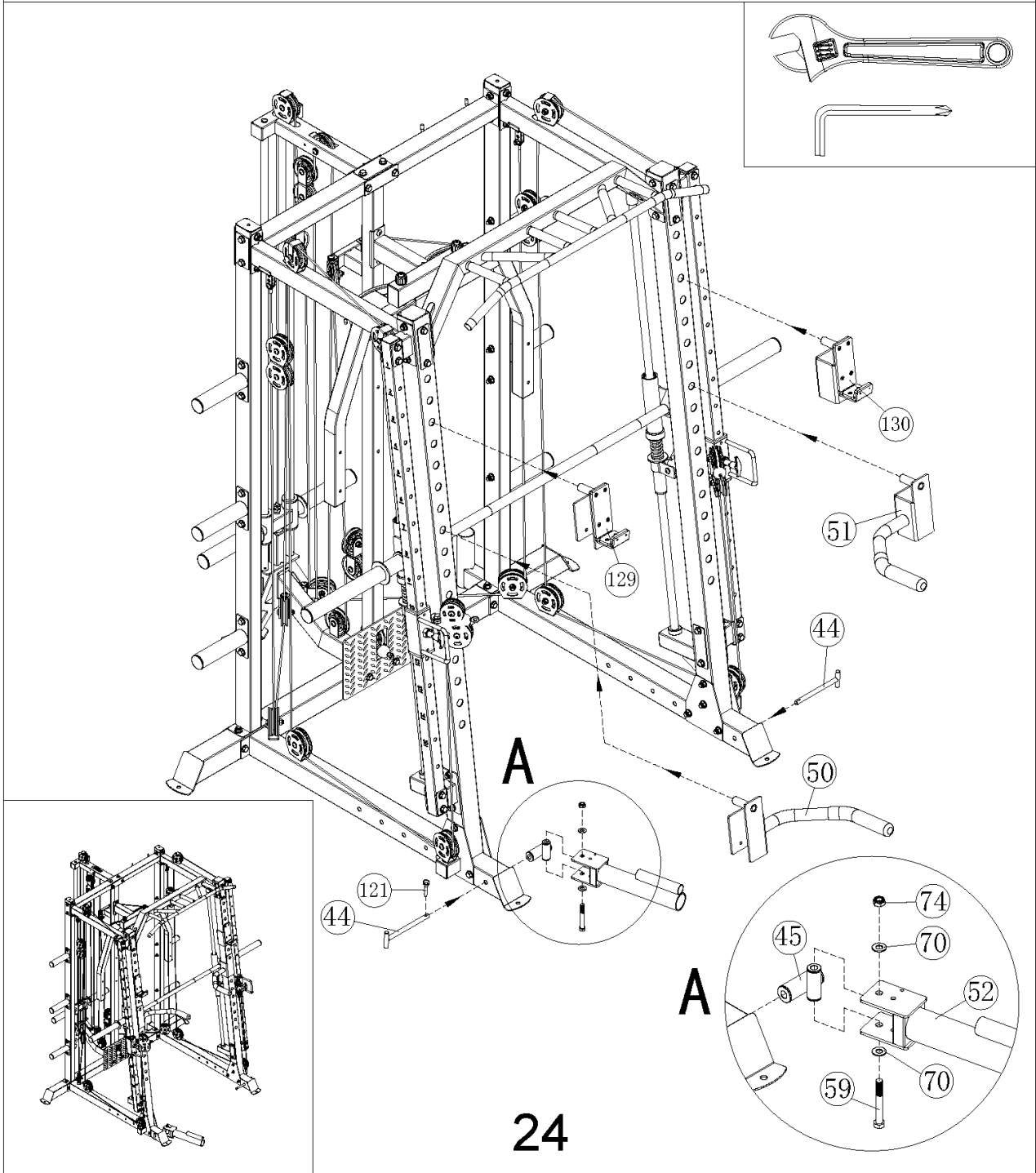
22

# Cross Cable Routing Diagram

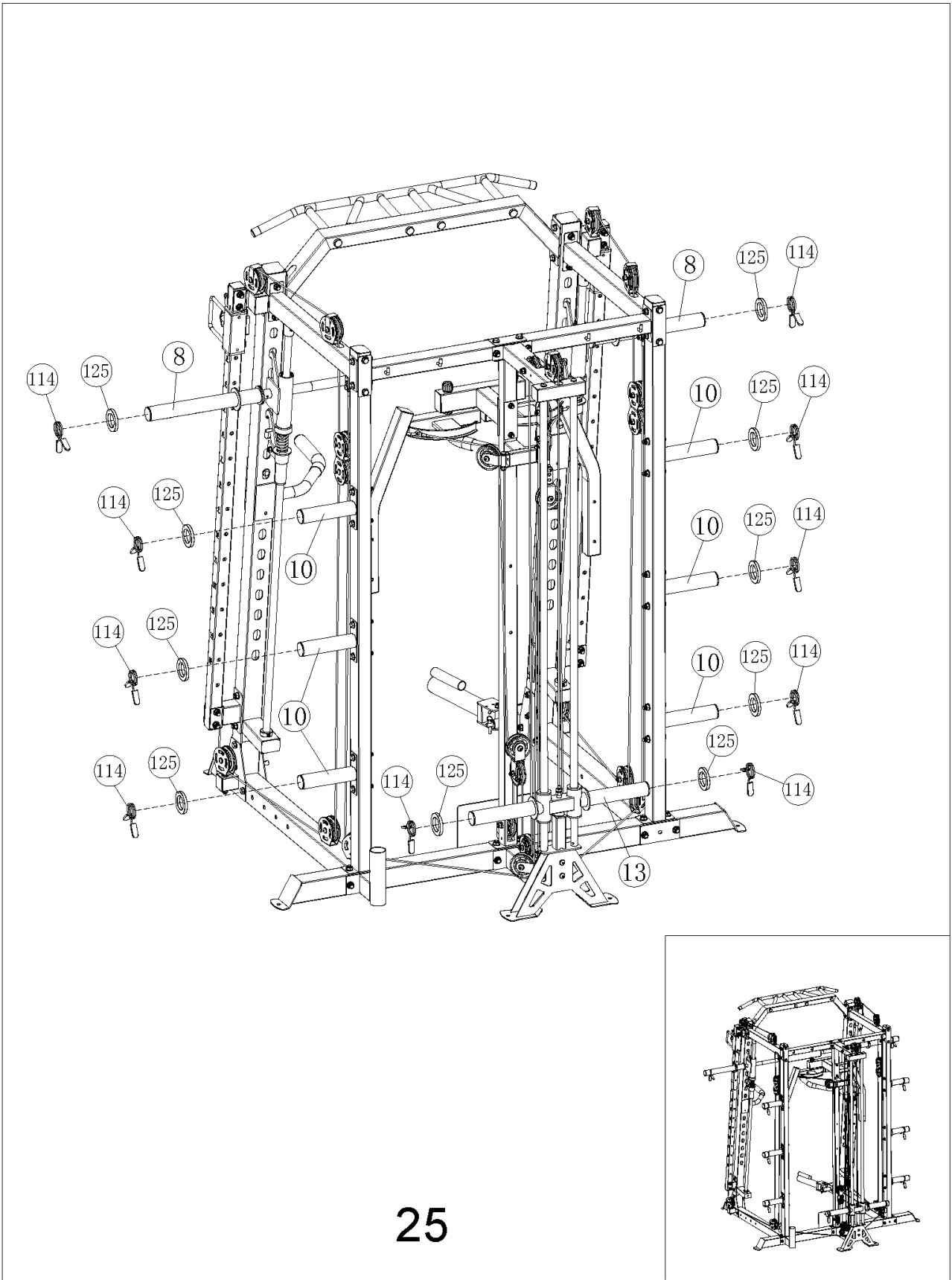


23

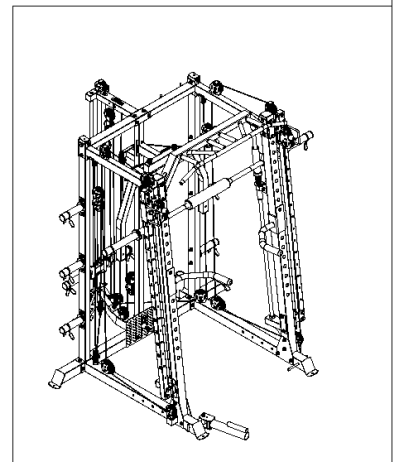
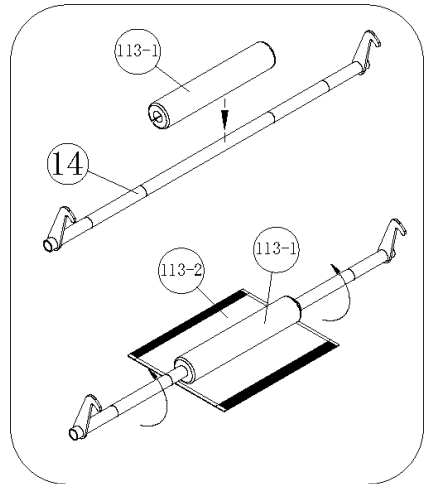
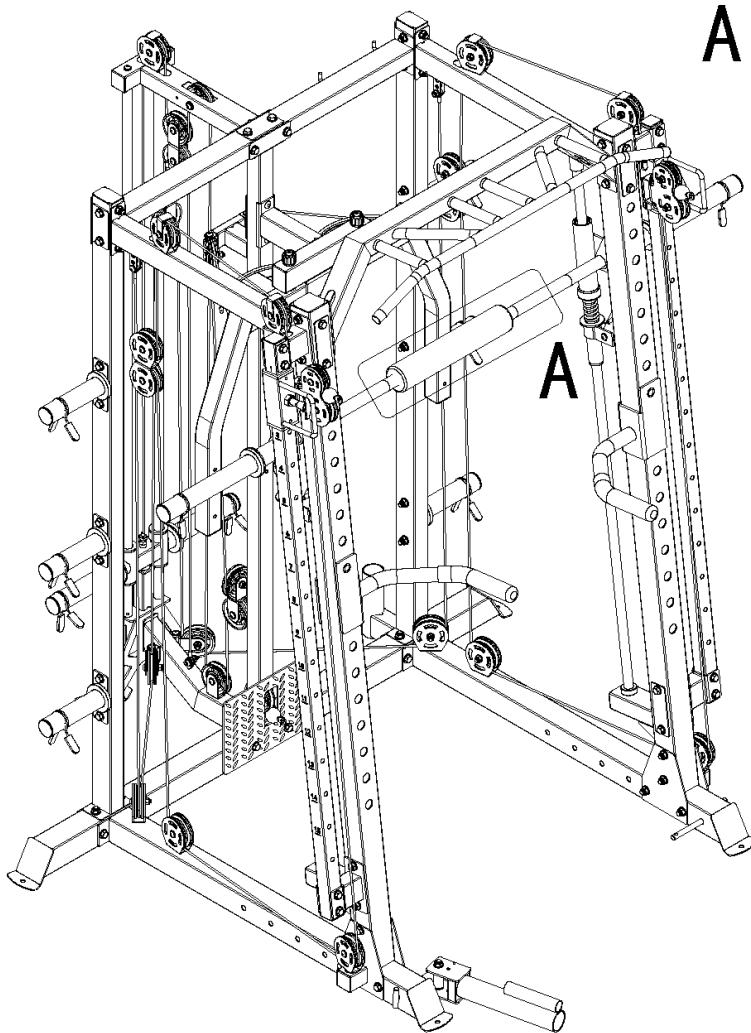
- |    |                                                                                   |   |          |    |                                                                                     |   |
|----|-----------------------------------------------------------------------------------|---|----------|----|-------------------------------------------------------------------------------------|---|
| ⑤9 |  | 1 | M12 × 3" | ⑫1 |  | 1 |
| ⑦0 |  | 2 | Ø 1"     |    |                                                                                     |   |
| ⑦4 |  | 1 | M12      |    |                                                                                     |   |







25



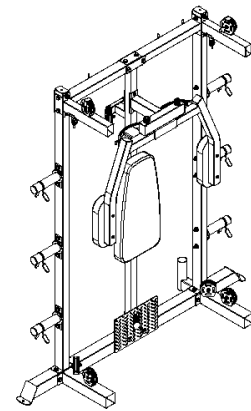
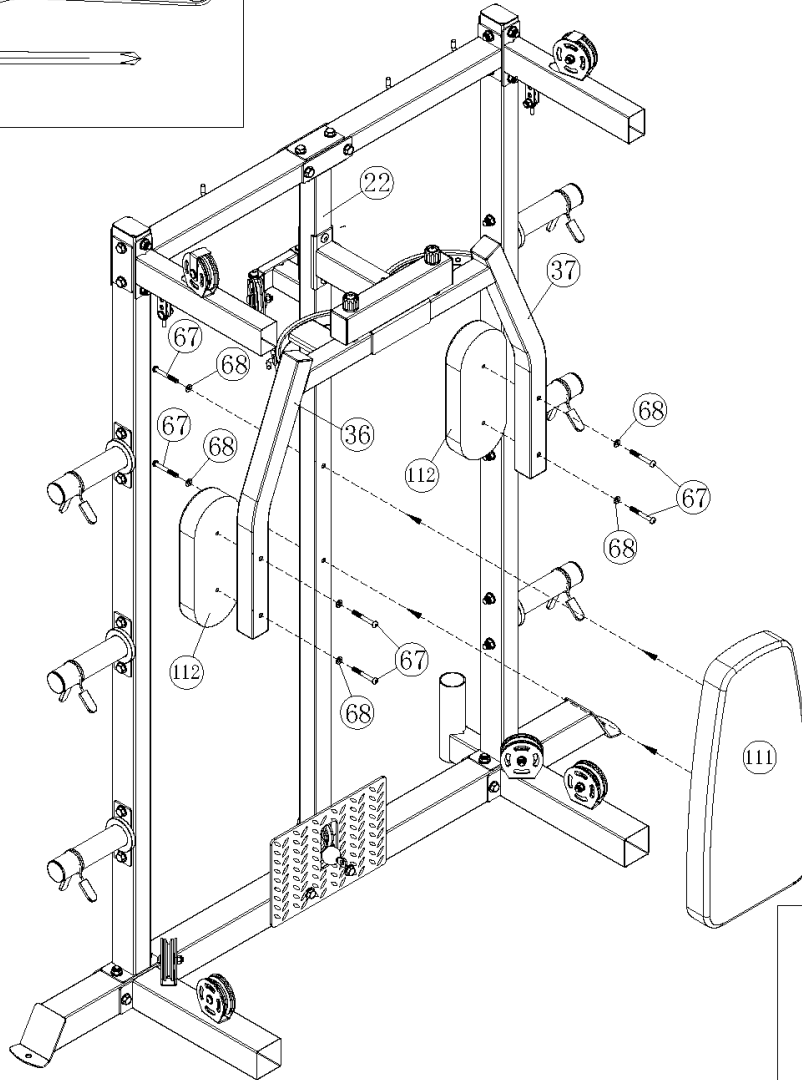
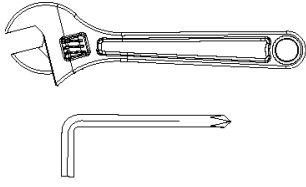
26

⑥7  6 M8×2 1/2"

⑥8  6  $\varnothing \frac{5}{8}$ "



5# Allen Wrench (Tool)



27

117



4

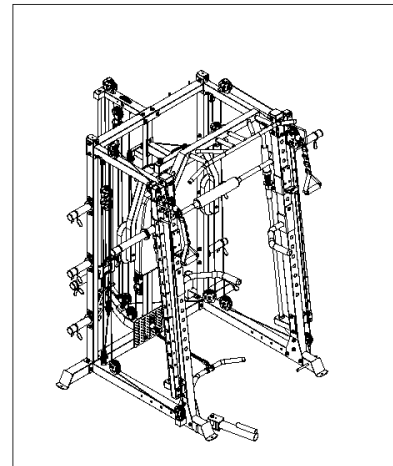
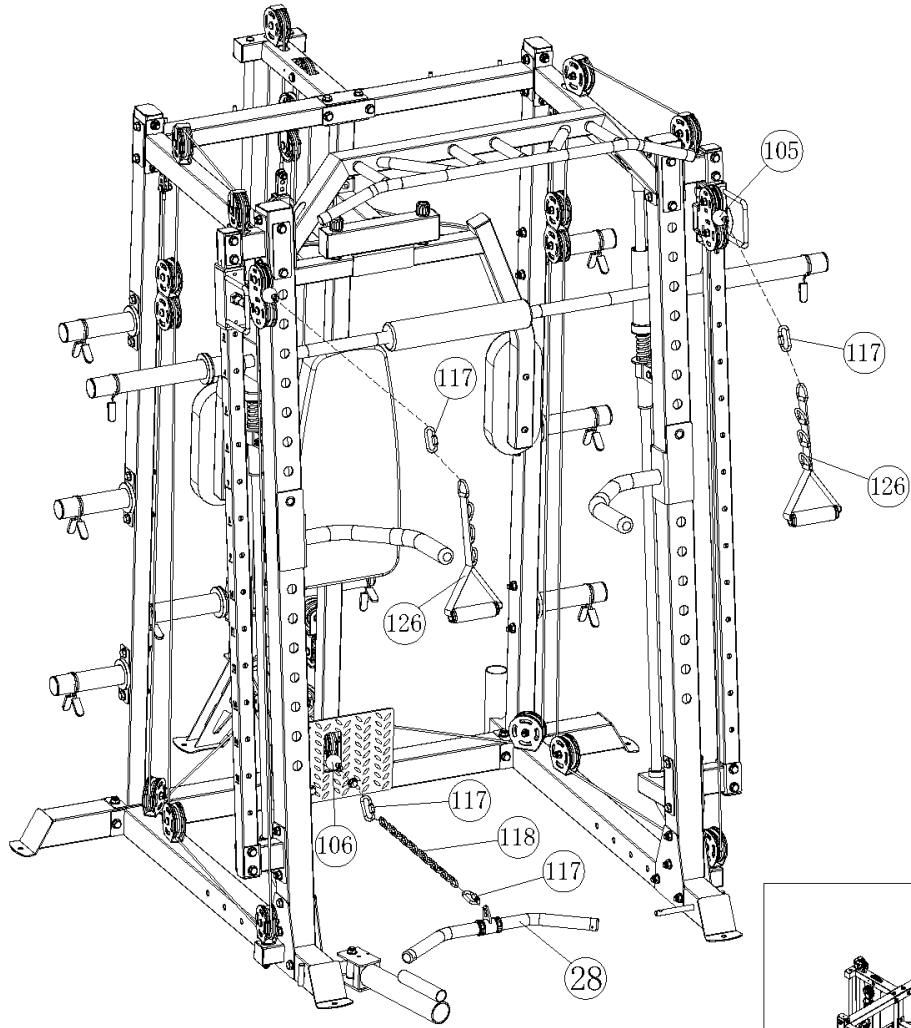
C hooks

118



1

Chain



28

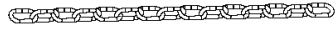
117



2

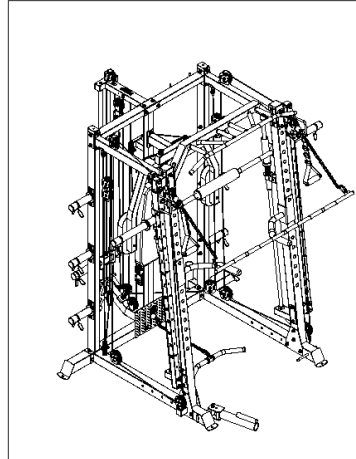
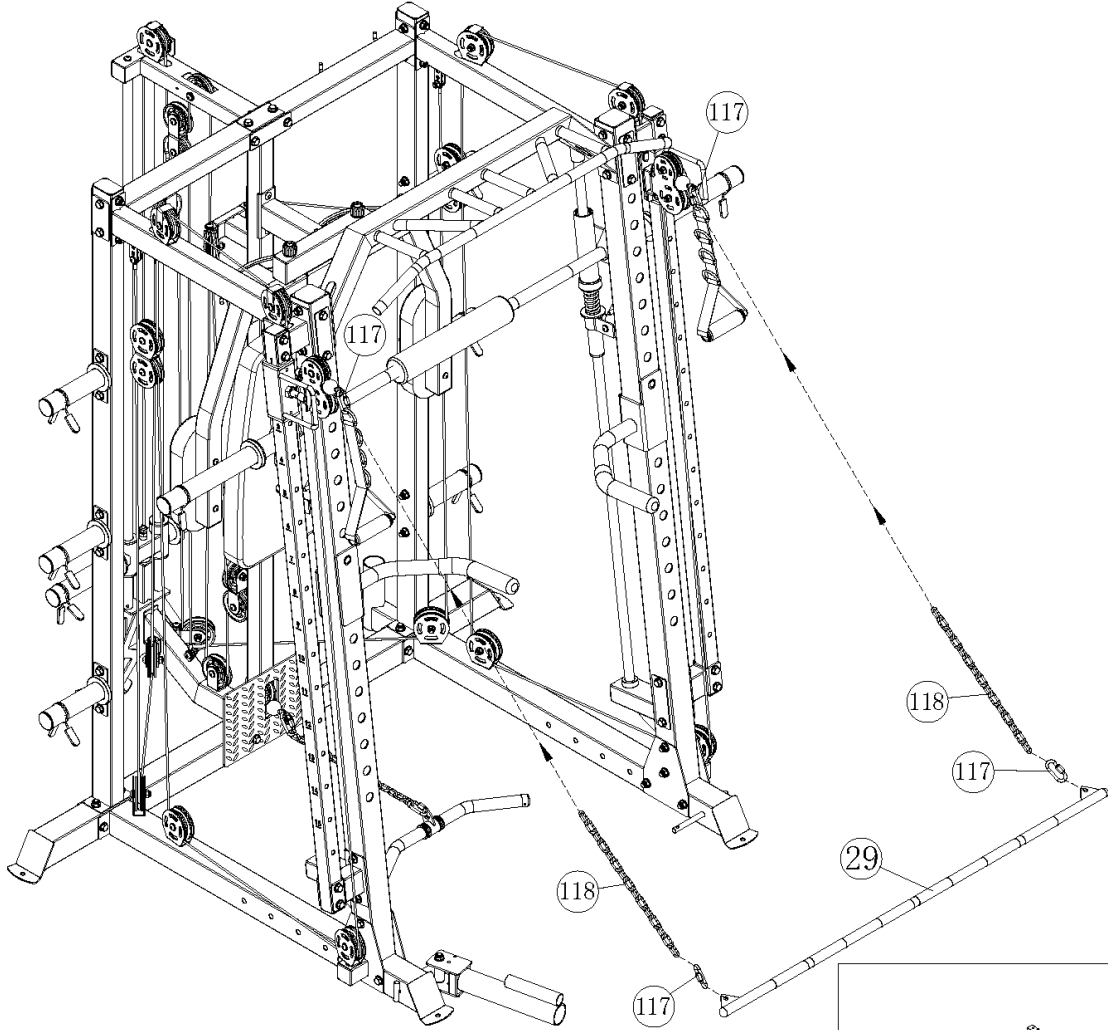
C hooks

118

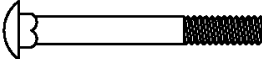
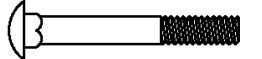




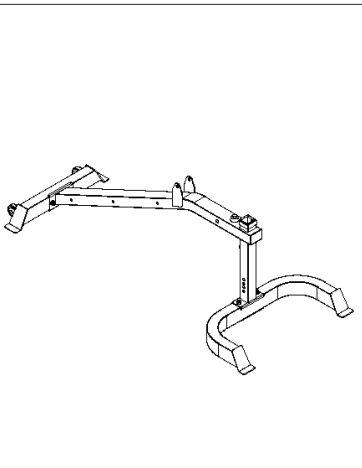
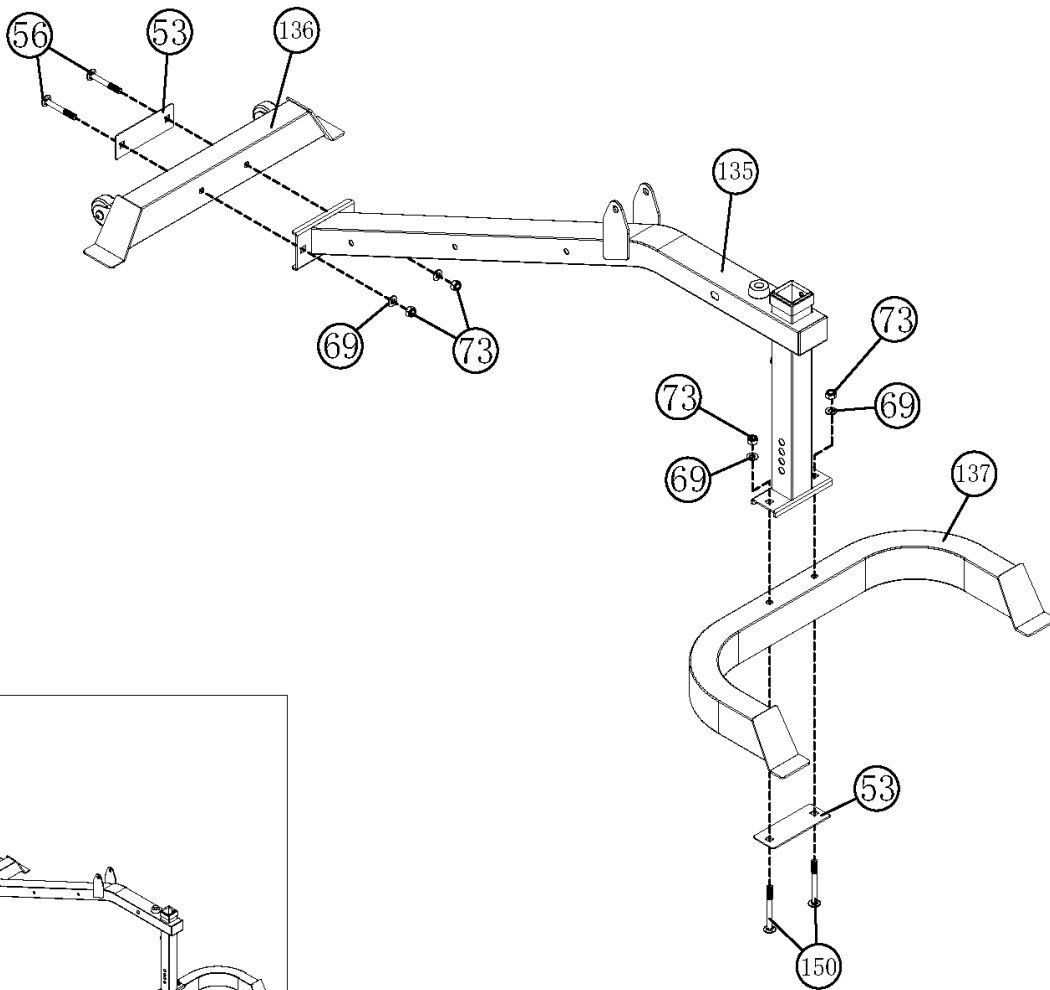
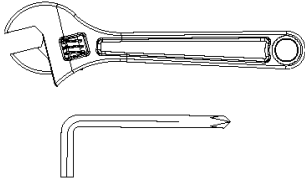
1

Chain

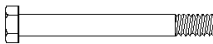




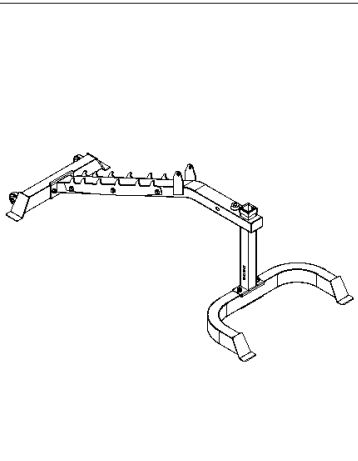
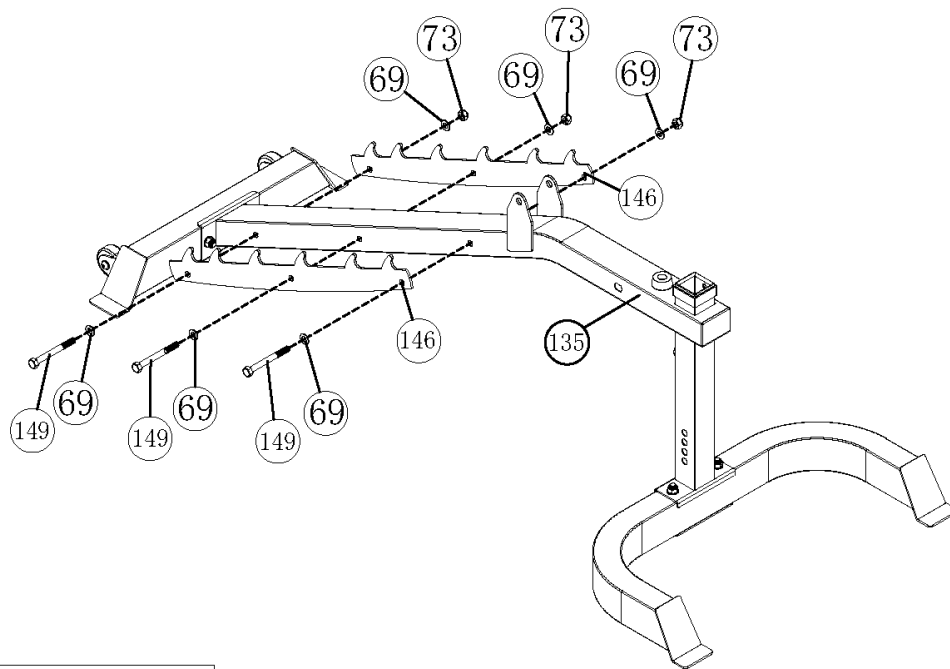
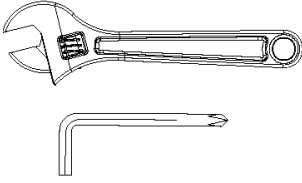
29

- (150)  2 M10×3 1/2"   
 (56)  2 M10×2 3/4"
- (69)  4 Ø 3/4"   
 (73)  4 M10

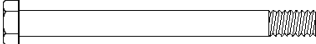
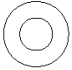



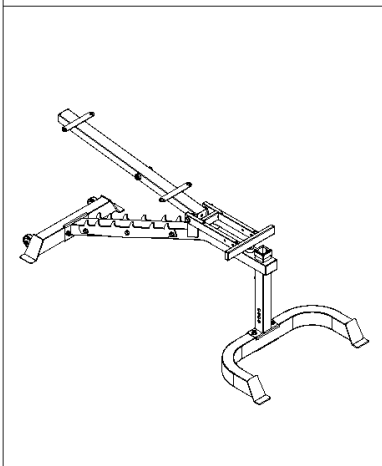
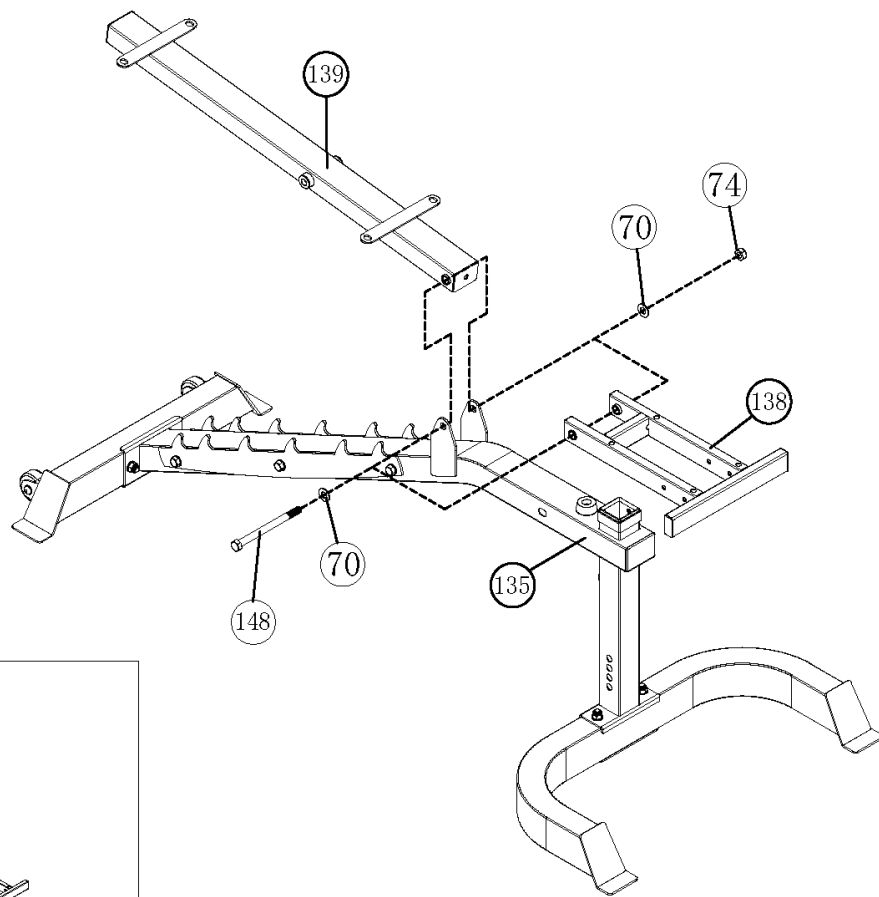
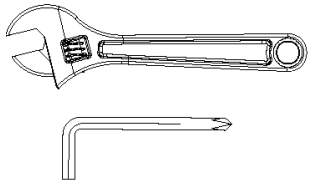
30

149		3	M10 × 3 $\frac{3}{4}$ "
69		6	Ø $\frac{3}{4}$ "
73		3	M10






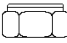
31

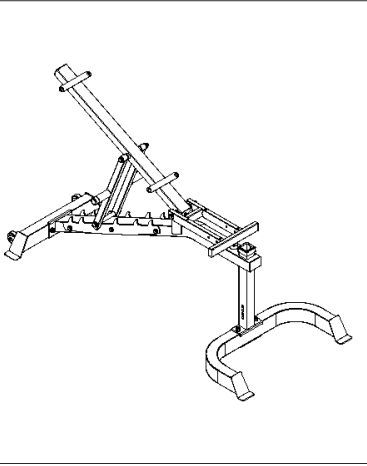
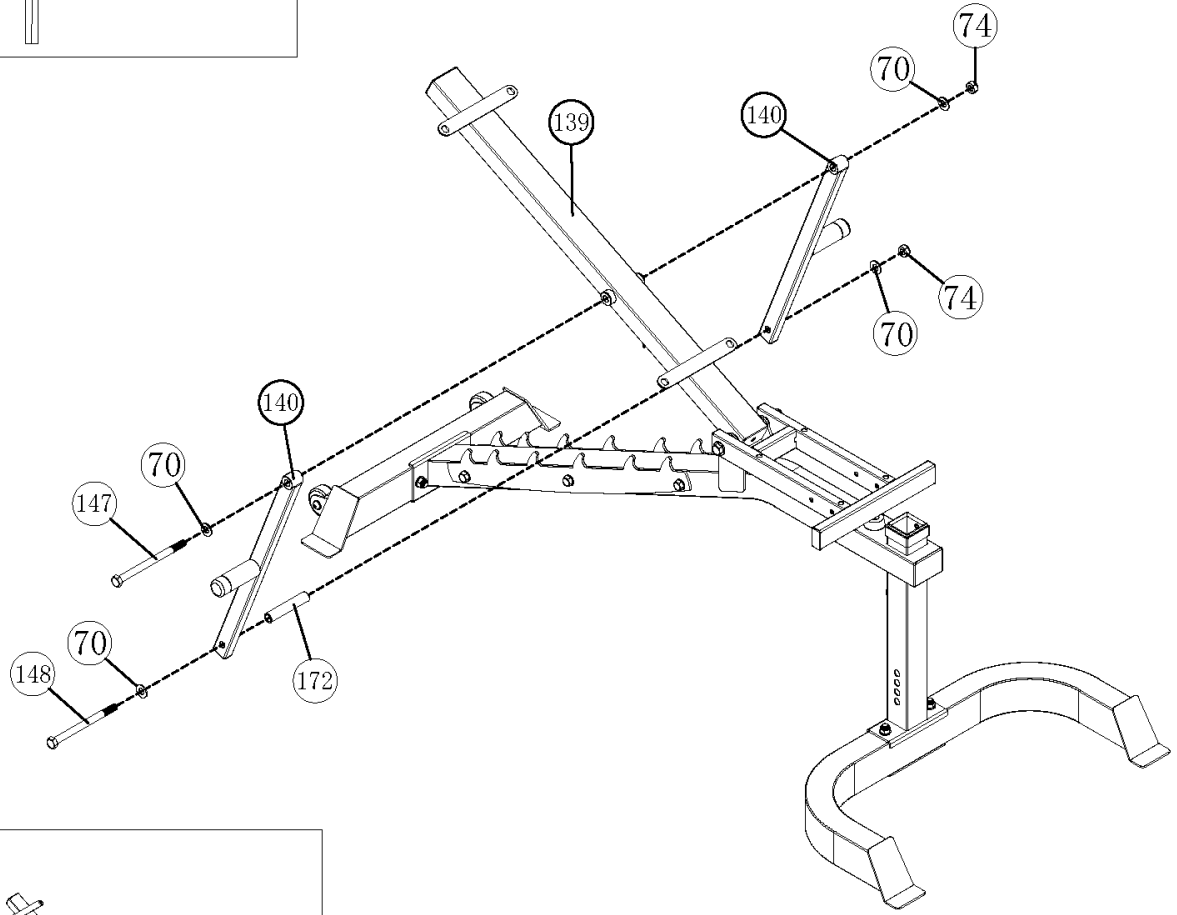
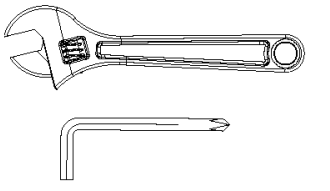
148		1	M12 × 6"
70		2	Ø 1"
74		1	M12



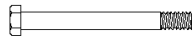



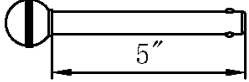
32

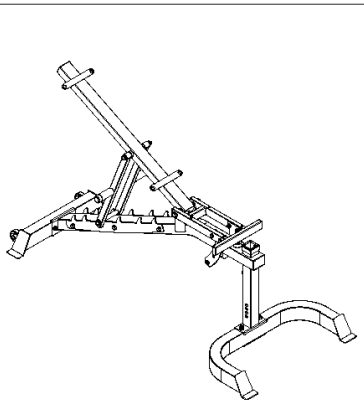
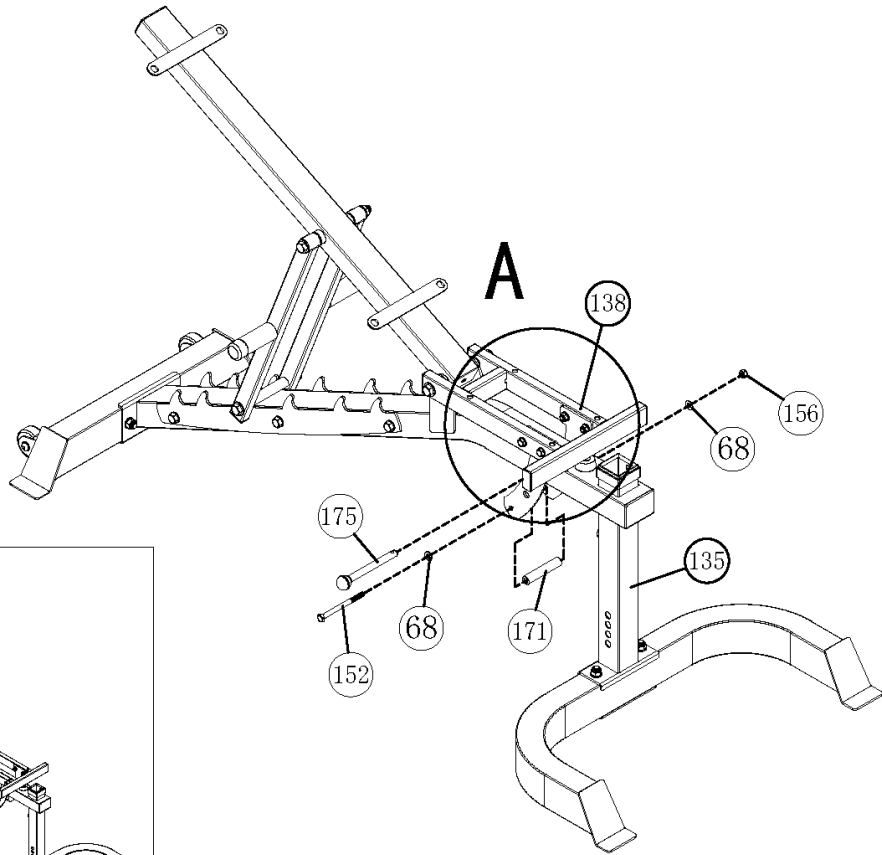
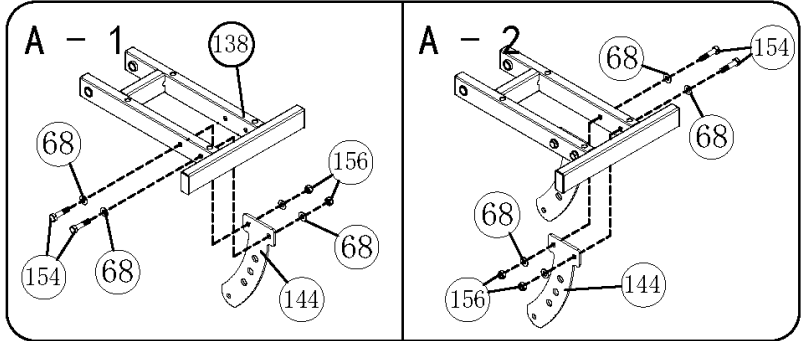
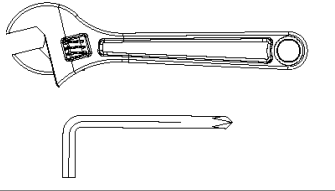


147		1	M12 × 6 1/4"				
148		1	M12 × 6"				
70		4	Ø 1"	74		2	M12



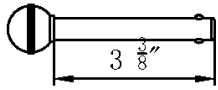
33

- |     |                                                                                   |    |                        |     |                                                                                     |   |                        |
|-----|-----------------------------------------------------------------------------------|----|------------------------|-----|-------------------------------------------------------------------------------------|---|------------------------|
| 152 |  | 1  | M8 × 4"                | 154 |   | 4 | M8 × 1 $\frac{3}{8}$ " |
| 68  |  | 10 | Ø $\frac{5}{8}$ "      | 156 |  | 5 | M8                     |
| 175 |  | 1  | Ø $\frac{1}{2}$ " × 5" |     |                                                                                     |   |                        |

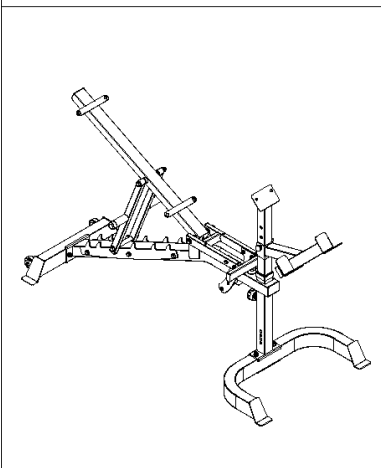
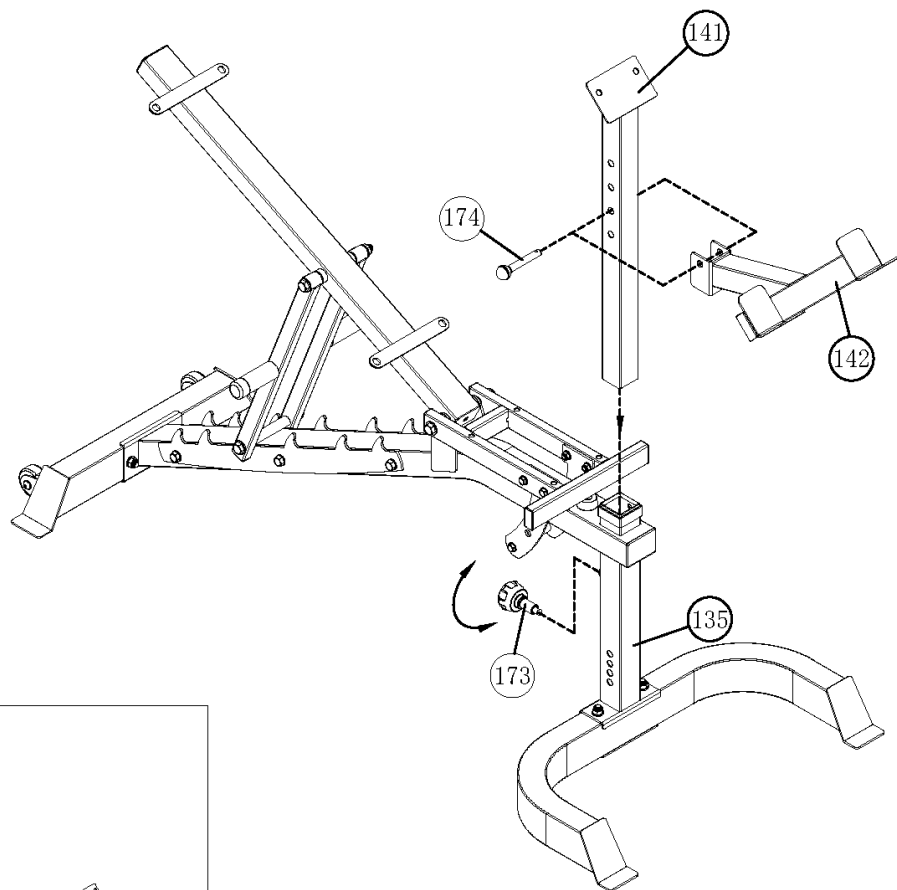


34

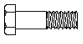
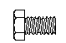

174

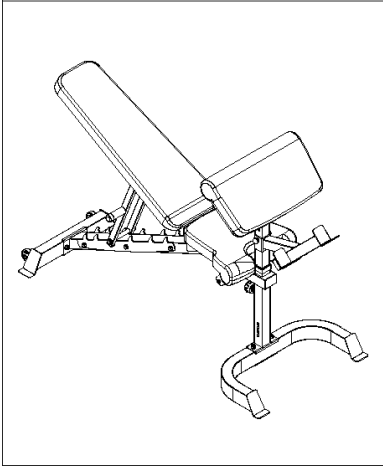
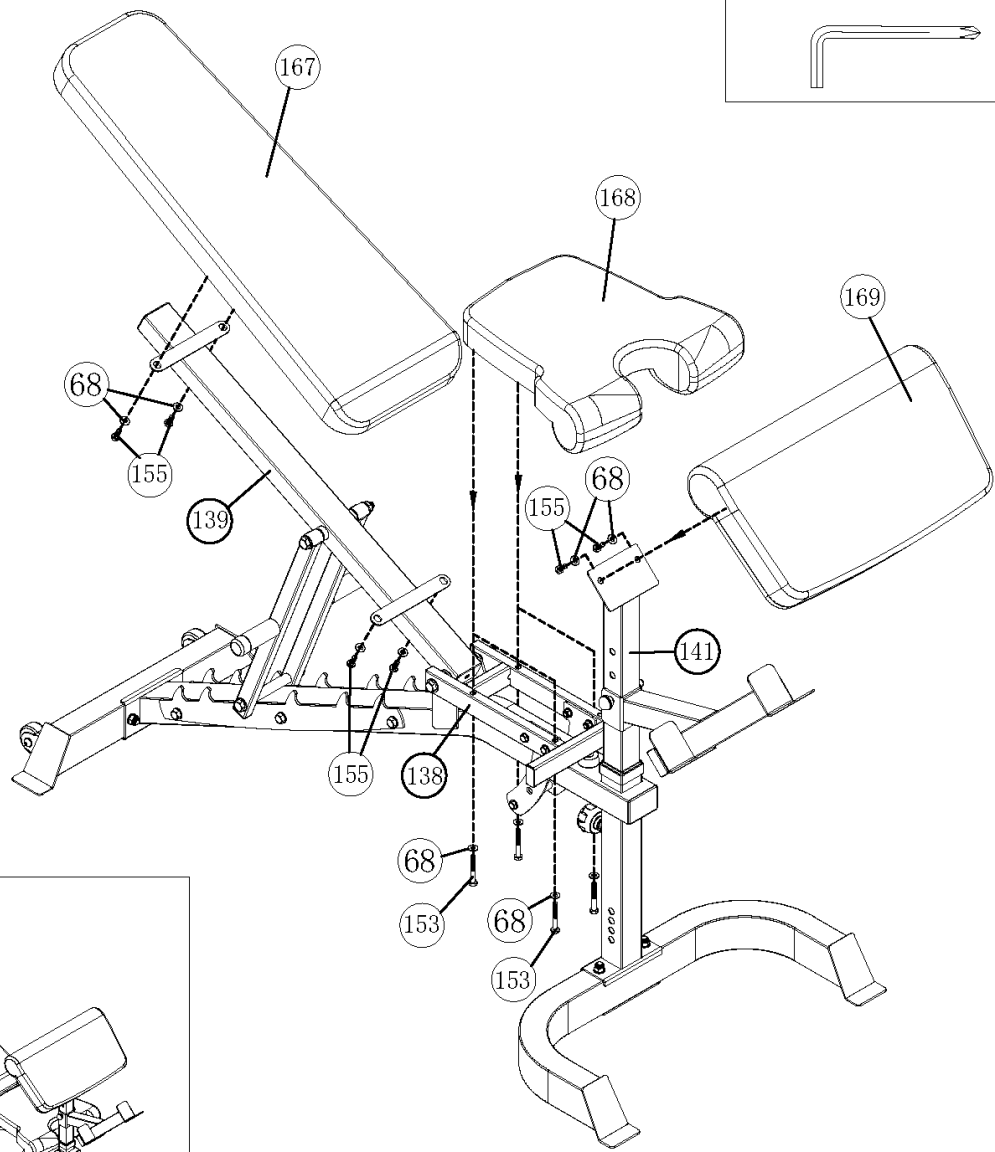
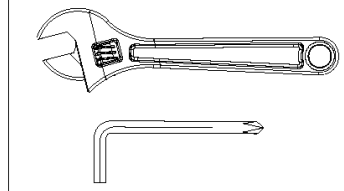


1  $\varnothing \frac{1}{2}'' \times 3 \frac{7}{8}''$



35

153		4	M8 × 2 1/8"
155		6	M8 × 3/4"
68		10	Ø 5/8"



36

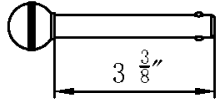
157



2

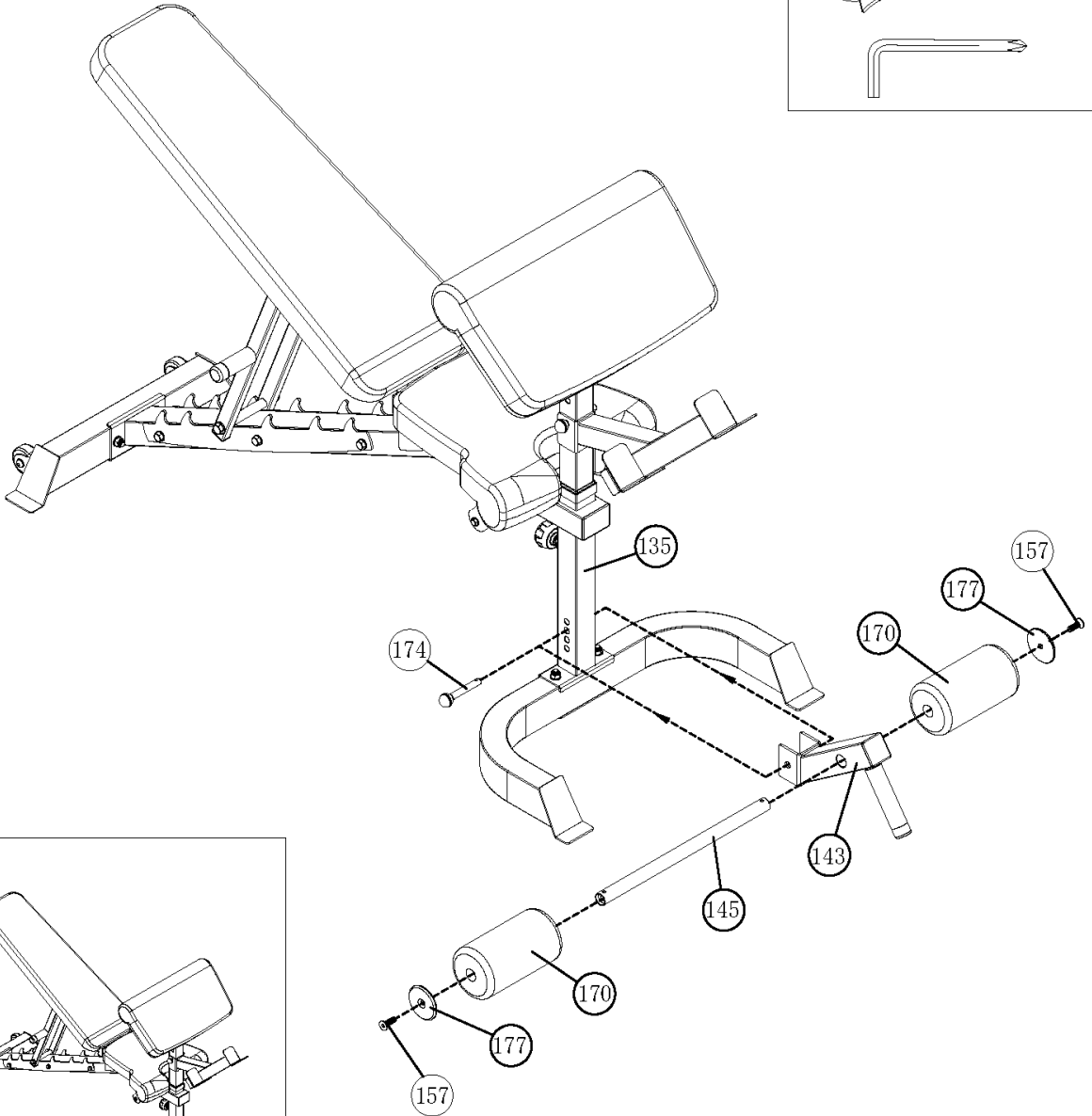
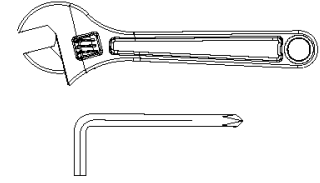
M10 × 1 1/8"

174



1

Ø 1/2" × 3 3/8"



37

**IMPEX® INC.**

2801 S. Towne Ave. Pomona, CA 91766

Tel: (800) 999-8899

**[www.marcypro.com](http://www.marcypro.com)**

**[support@impex-fitness.com](mailto:support@impex-fitness.com)**